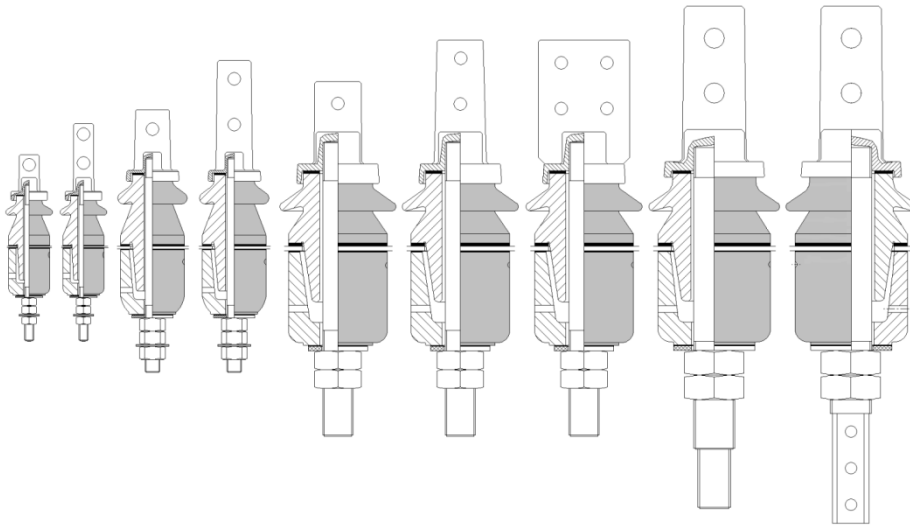
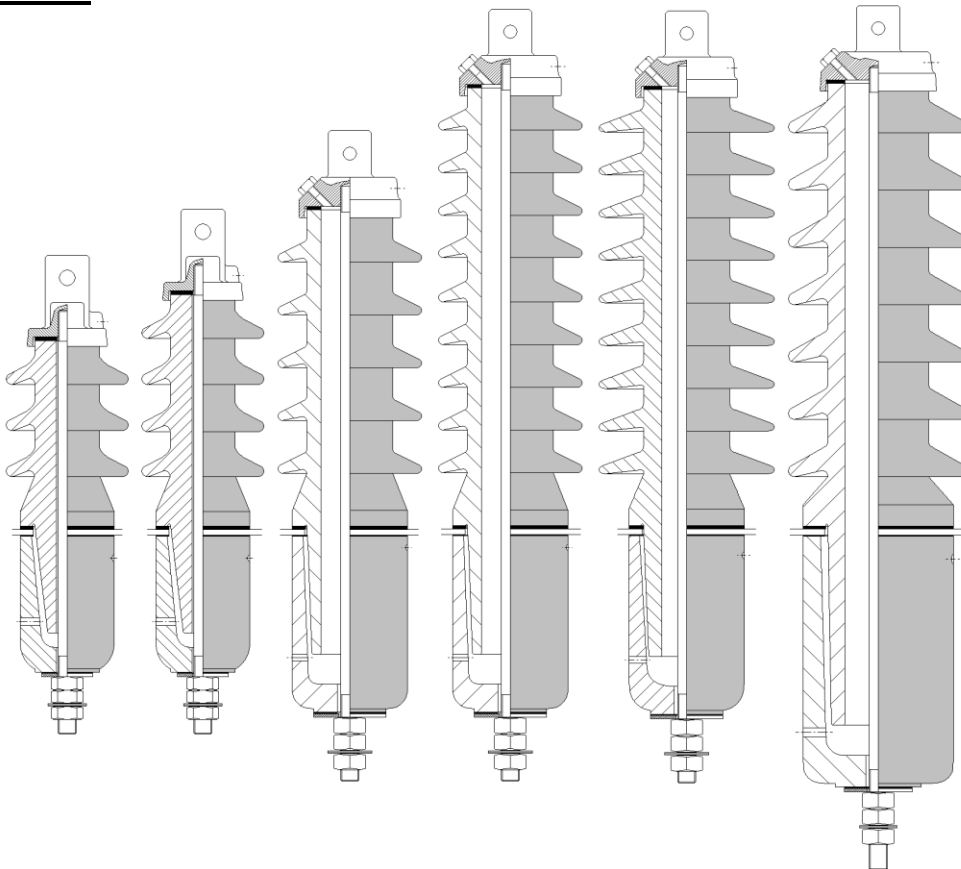


## **ZEP CATALOGUE ON ESAA 2/3/1M BUSHING ASSEMBLIES AND VARIANTS** **Units supplied in accordance with AS-NZS 60137 - 2008**

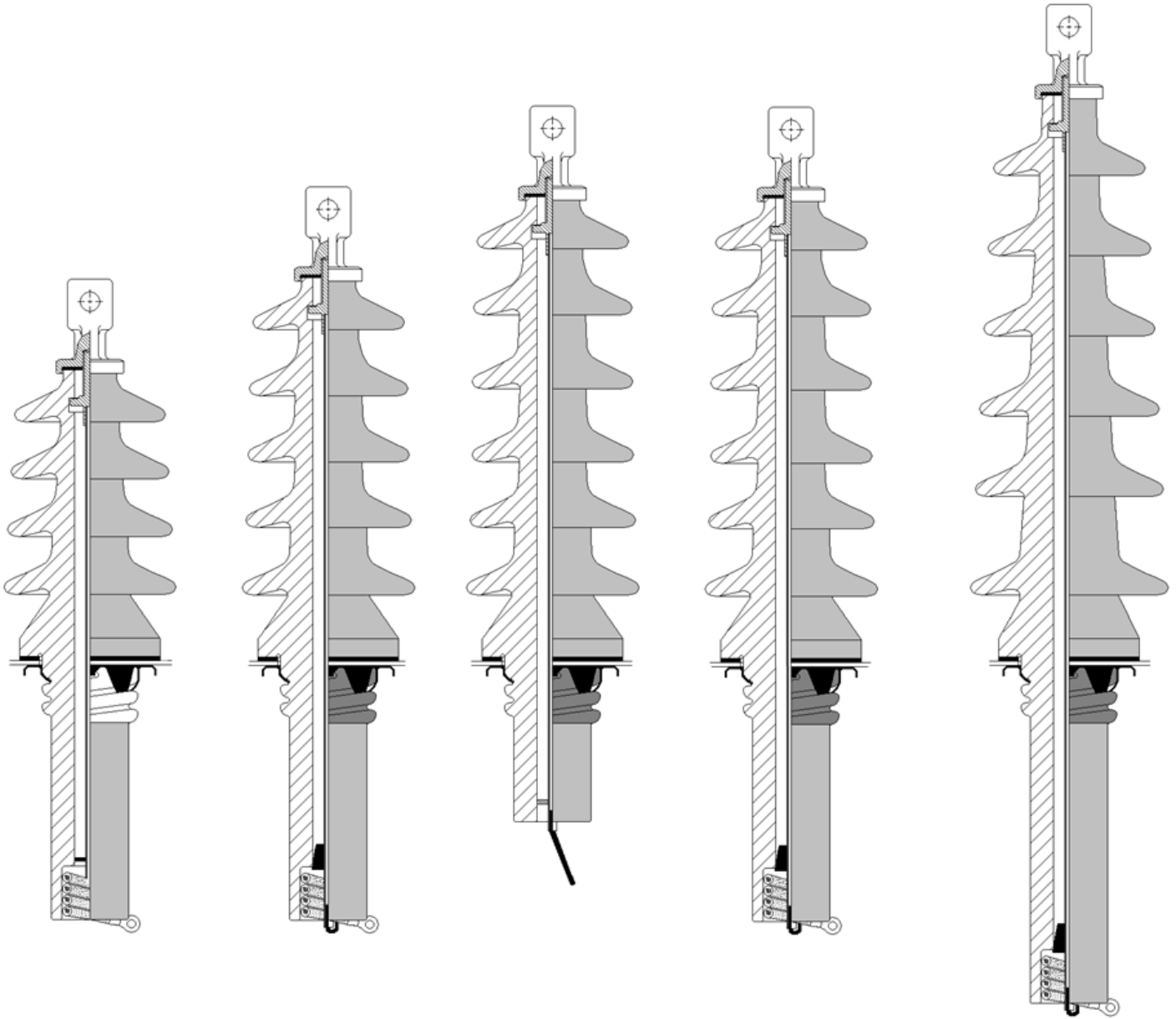
### **LV UNITS**



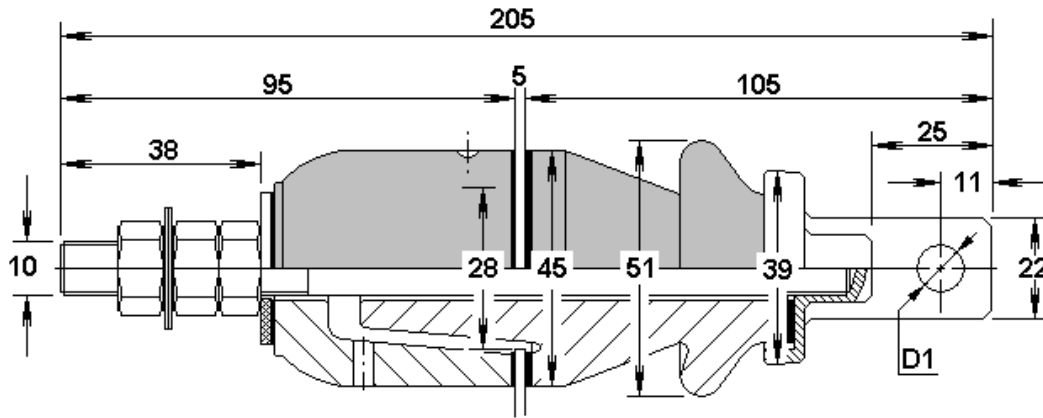
### **2 PIECE HV UNITS**



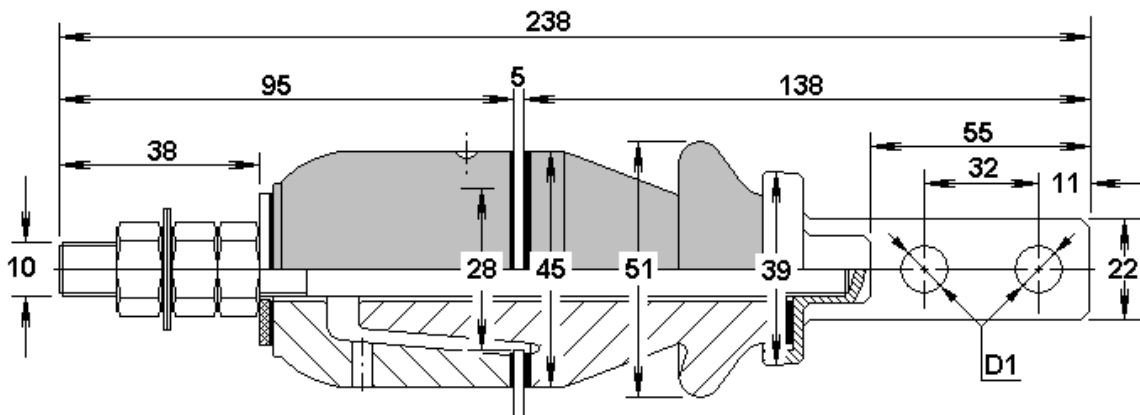
**Single Piece HV Units**



**1kV – 2 PIECE BUSHING ASSEMBLY TO ESAA 2/3/2M**



**Fig 1**

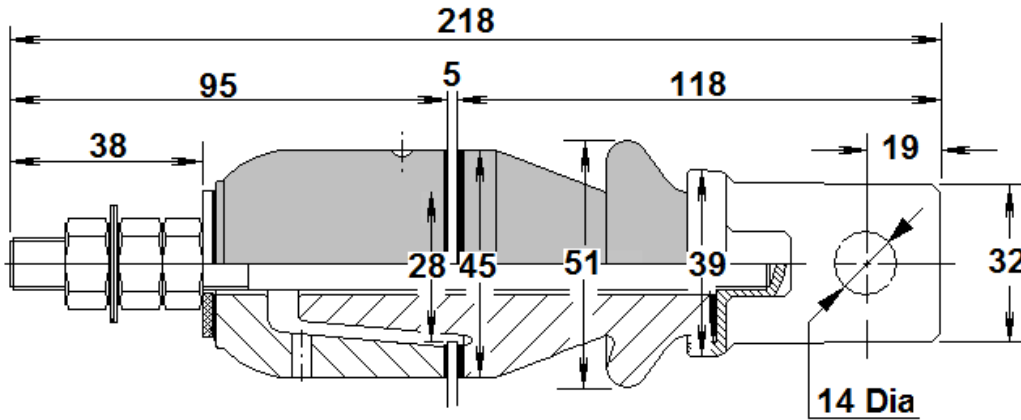


**Fig 2**

**Voltage Rating** = 1kV  
**Current Rating** = 167A  
**Arcing Distance** = 60mm  
**Creep Distance** = 70mm  
**Tank Hole Diameter** = 29mm  
**Porcelain Colour** = MUNSSELL GREY 5BG – 7.0/0.4

ZEP PART No.	STEM DIAMETER	STEM MATERIAL	PALM HOLE SIZE (D1)	CURRENT RATING (A)	FIG	MASS (kg)
CU711011	10mm	COPPER	11mm	167	1	0.55
CU711014	10mm	COPPER	14mm	167	1	0.55
CU711028	10mm	COPPER	14mm	167	2	0.57

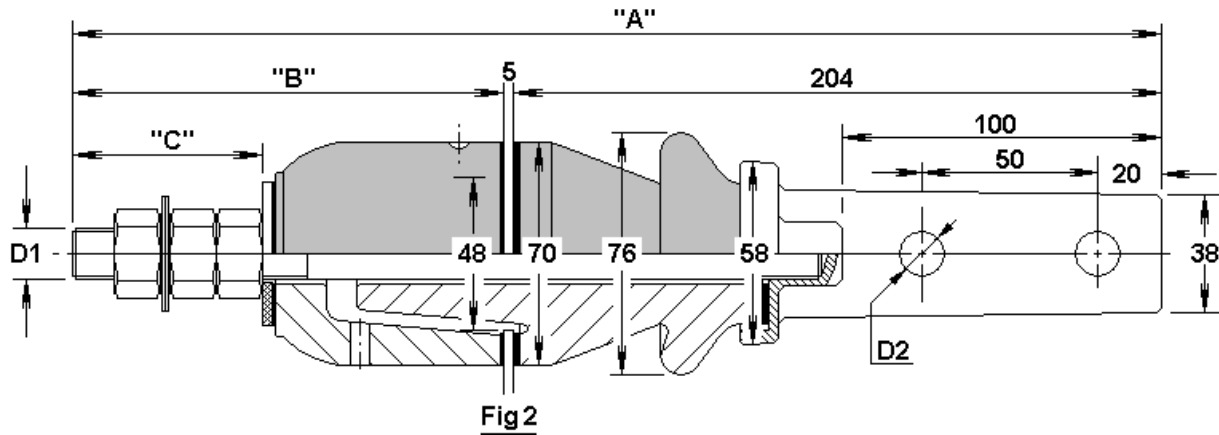
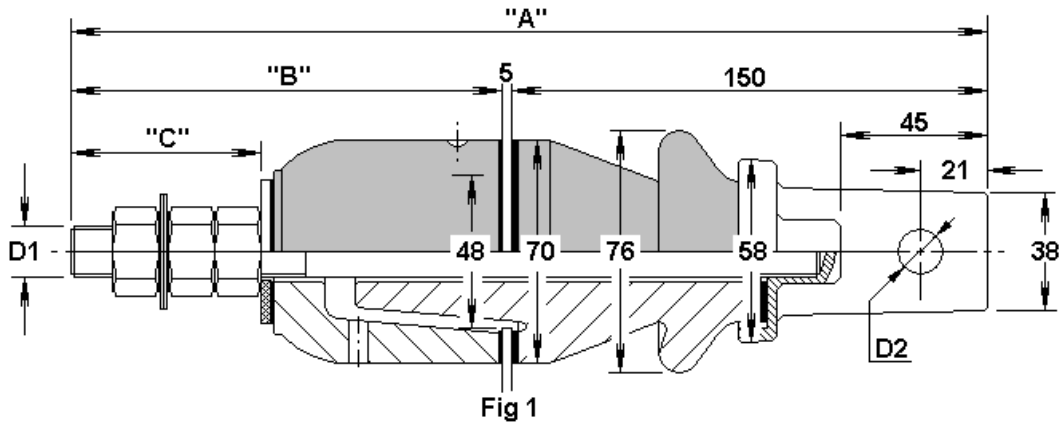
**1kV – 2 PIECE BUSHING ASSEMBLY TO ESAA 2/3/2M - WIDE PALM - SPECIAL**



**Voltage Rating** = 1kV  
**Current Rating** = 167A  
**Arcing Distance** = 60mm  
**Creep Distance** = 70mm  
**Tank Hole Diameter** = 29mm  
**Porcelain Colour** = MUNSELL GREY 5BG – 7.0/0.4

ZEP PART No.	STEM DIAMETER	STEM MATERIAL	CURRENT RATING (A)	MASS (kg)
CU711014WP	10mm	COPPER	167	0.56

**3.3kV – 2 PIECE BUSHING ASSEMBLY TO ESAA 2/3/3M**



- |                              |                                      |
|------------------------------|--------------------------------------|
| <b>Voltage Rating</b>        | <b>= 3.3kV</b>                       |
| <b>Current Rating</b>        | <b>= Refer Chart Below</b>           |
| <b>Arcing Distance</b>       | <b>= 60mm</b>                        |
| <b>Creep Distance</b>        | <b>= 70mm</b>                        |
| <b>Impulse Level</b>         | <b>= 40kV BIL</b>                    |
| <b>Wet Withstand Voltage</b> | <b>= 10kV</b>                        |
| <b>Tank Hole Diameter</b>    | <b>= 48mm</b>                        |
| <b>Porcelain Colour</b>      | <b>= MUNSSELL GREY 5BG – 7.0/0.4</b> |

ZEP PART No.	STEM DIA D1	STEM MATERIAL	PALM HOLE SIZE-D2	CURRENT RATING (A)	"A"	"B"	"C"	Fig	MASS (kg)
BR721214	12mm	BRASS	14mm	200	273	118	43	1	1.8
BR721228	12mm	BRASS	14mm	200	327	118	43	2	1.95
BR721614	16mm	BRASS	14mm	300	283	128	53	1	1.85
CU721614	16mm	COPPER	14mm	500	283	128	53	1	1.85
CU721628	16mm	COPPER	14mm	500	337	128	53	2	1.95

## 3.3kV – 2 PIECE BUSHING ASSEMBLY SPECIAL

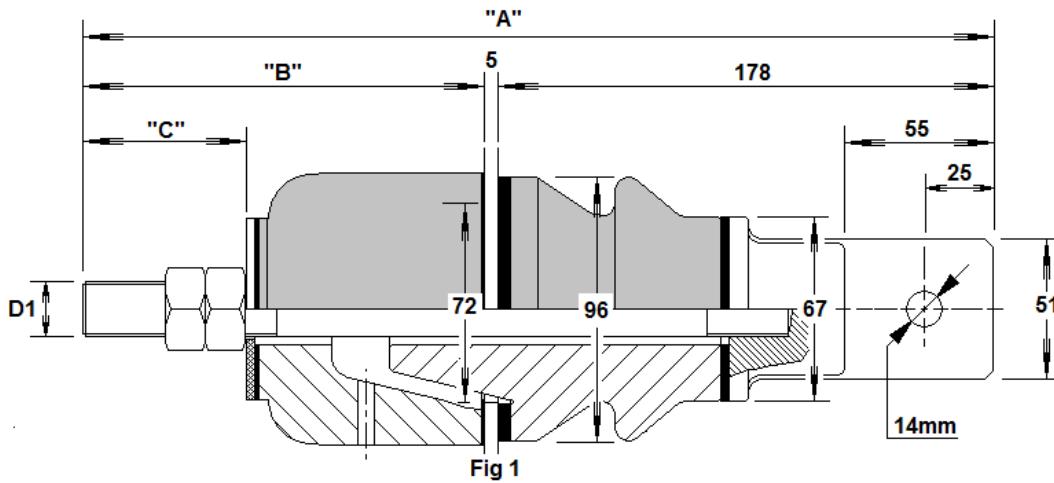


Fig 1

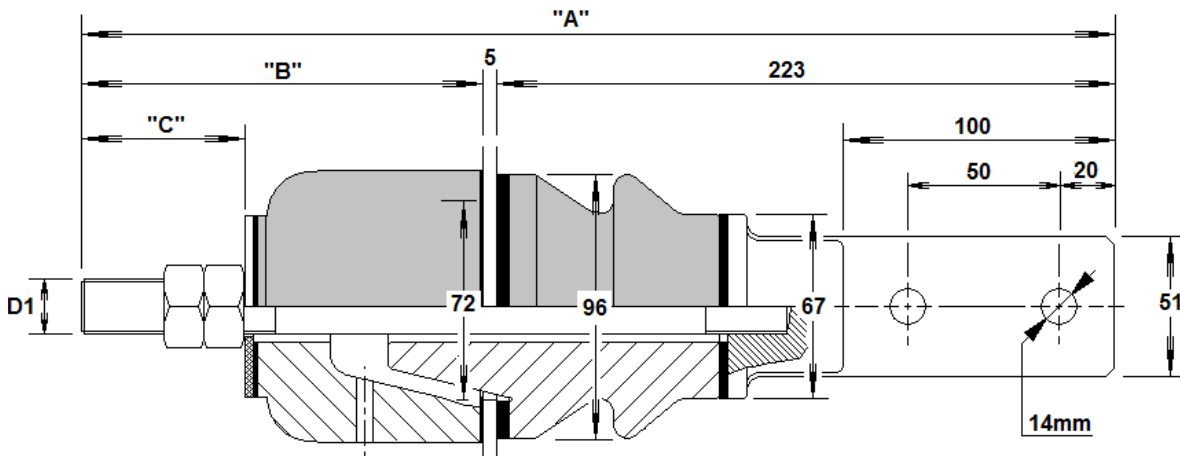
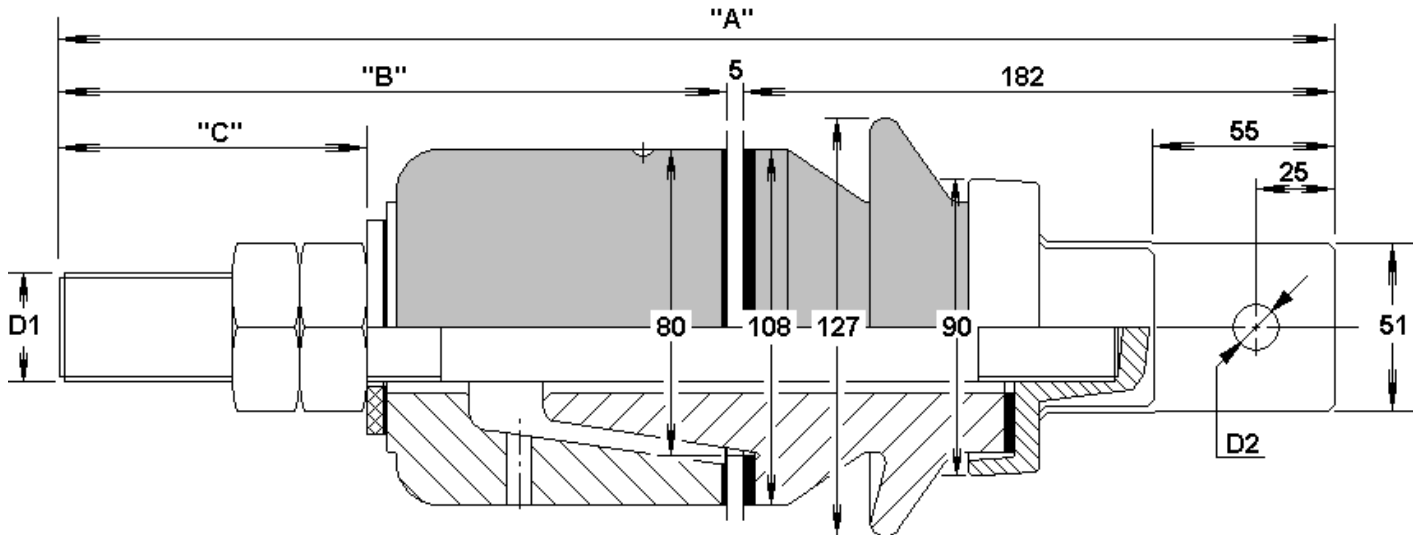


Fig 2

<b>Voltage Rating</b>	<b>= 3.3kV</b>
<b>Current Rating</b>	<b>= Refer Chart Below</b>
<b>Arcing Distance</b>	<b>= 85mm</b>
<b>Creep Distance</b>	<b>= 90mm</b>
<b>Impulse Level</b>	<b>= 40kV BIL</b>
<b>Wet Withstand Voltage</b>	<b>= 10kV</b>
<b>Tank Hole Diameter</b>	<b>= 72mm</b>
<b>Porcelain Colour</b>	<b>= MUNSELL GREY 5BG – 7.0/0.4</b>

ZEP PART No.	STEM DIA D1	STEM MATERIAL	CURRENT RATING (A)	"A"	"B"	"C"	Fig	MASS (kg)
SPEC2014	20mm	COPPER	700	332	190	82	1	4.0
SPEC2414	24mm	COPPER	1050	352	210	102	1	4.25
SPEC3314	33mm	COPPER	1400	397	255	147	1	4.75
SPEC2428	24mm	COPPER	1050	397	210	102	2	4.75
SPEC3328	33mm	COPPER	1400	442	255	147	2	5.25

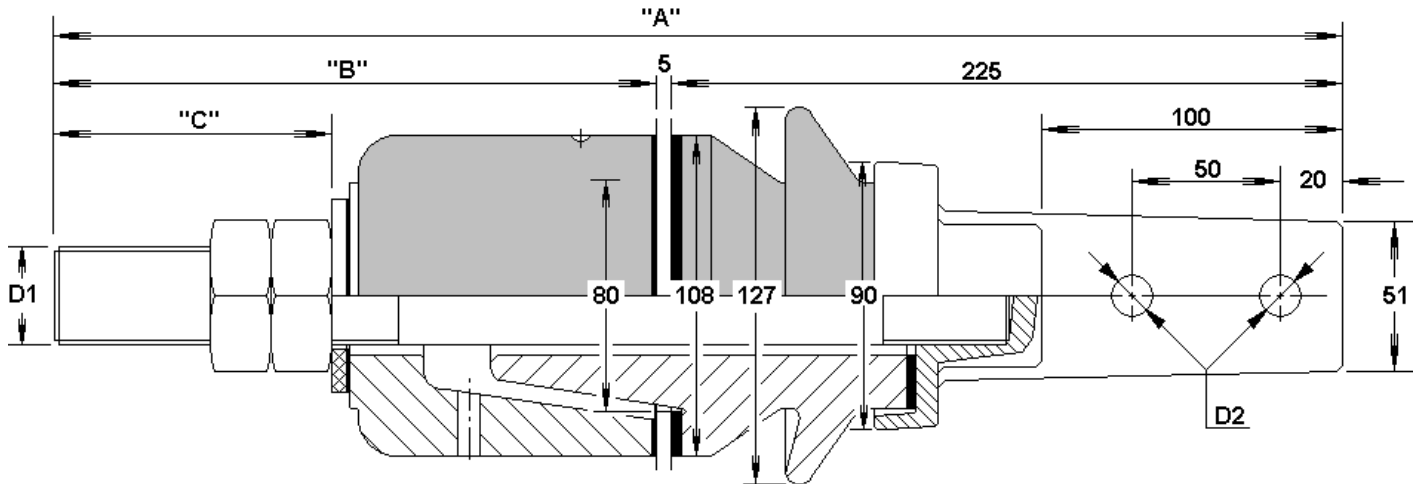
## 3.3kV – 2 PIECE BUSHING ASSEMBLY TO ESAA 2/3/4M



Voltage Rating	= 3.3kV
Current Rating	= Refer Chart Below
Arcing Distance	= 90mm
Creep Distance	= 115mm
Impulse Level	= 40kV BIL
Wet Withstand Voltage	= 10kV
Tank Hole Diameter	= 80mm
Porcelain Colour	= MUNSSELL GREY 5BG – 7.0/0.4

ZEP PART No.	STEM DIA D1	STEM MATERIAL	PALM HOLE SIZE-D2	CURRENT RATING (A)	"A"	"B"	"C"	MASS (kg)
CU732014	20mm	COPPER	14mm	700	377	190	82	5.1
CU732018	20mm	COPPER	18mm	700	377	190	82	5.1
CU732414	24mm	COPPER	14mm	1050	390	203	95	5.5
CU733314	33mm	COPPER	14mm	1400	395	208	100	6.7

**3.3kV – 2 PIECE BUSHING ASSEMBLY TO ESAA 2/3/4M - LONG PALM**

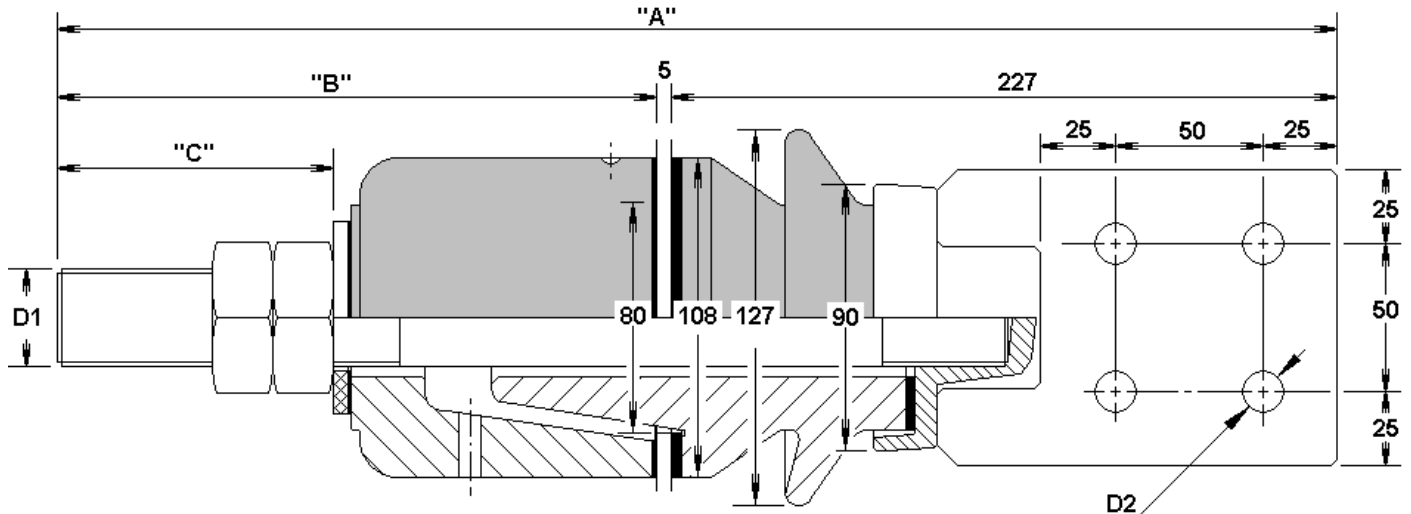


- |                              |                                     |
|------------------------------|-------------------------------------|
| <b>Voltage Rating</b>        | <b>= 3.3kV</b>                      |
| <b>Current Rating</b>        | <b>= Refer Chart Below</b>          |
| <b>Arcing Distance</b>       | <b>= 90mm</b>                       |
| <b>Creep Distance</b>        | <b>= 115mm</b>                      |
| <b>Impulse Level</b>         | <b>= 40kV BIL</b>                   |
| <b>Wet Withstand Voltage</b> | <b>= 10kV</b>                       |
| <b>Tank Hole Diameter</b>    | <b>= 80mm</b>                       |
| <b>Porcelain Colour</b>      | <b>= MUNSELL GREY 5BG – 7.0/0.4</b> |

ZEP PART No.	STEM DIA D1	STEM MATERIAL	PALM HOLE SIZE-D2	CURRENT RATING (A)	"A"	"B"	"C"	MASS (kg)
CU732428	24	COPPER	14	1050	435	205	97	5.85
CU733328	33	COPPER	14	1400	440	210	102	7.00



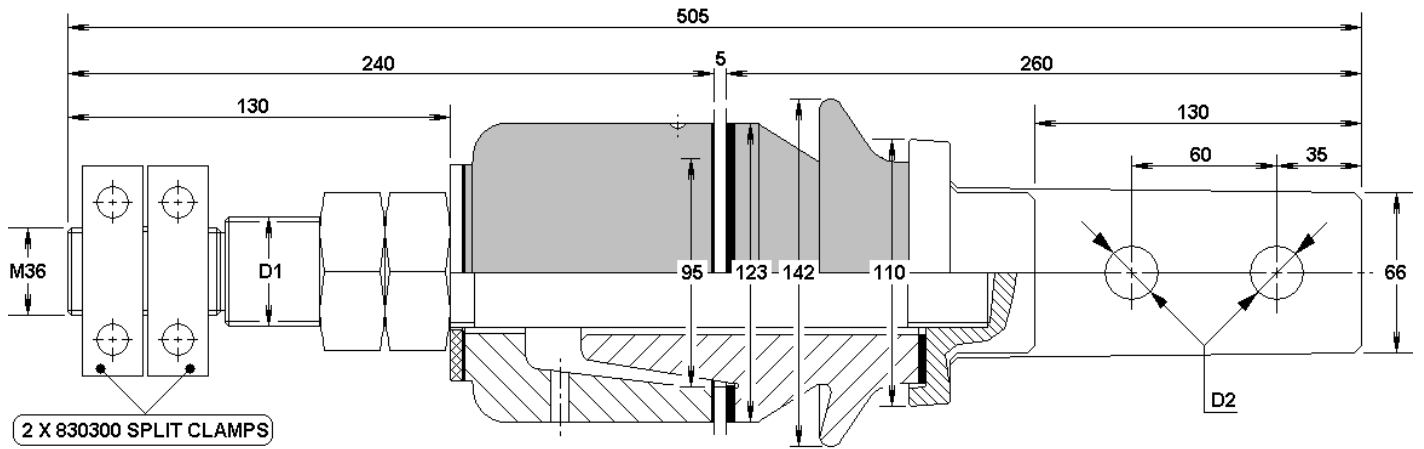
**3.3kV – 2 PIECE BUSHING ASSEMBLY TO ESAA 2/3/4M - SQUARE PALM**



**Voltage Rating** = 3.3kV  
**Current Rating** = Refer Chart Below  
**Arcing Distance** = 90mm  
**Creep Distance** = 115mm  
**Impulse Level** = 40kV BIL  
**Wet Withstand Voltage** = 10kV  
**Tank Hole Diameter** = 80mm  
**Porcelain Colour** = MUNSSELL GREY 5BG – 7.0/0.4

ZEP PART No.	STEM DIA D1	STEM MATERIAL	PALM HOLE SIZE-D2	CURRENT RATING (A)	"A"	"B"	"C"	MASS (kg)
CU733356	33	COPPER	14	1400	440	208	135	8.9
CU733656	36	COPPER	14	2000	475	243	130	9.4

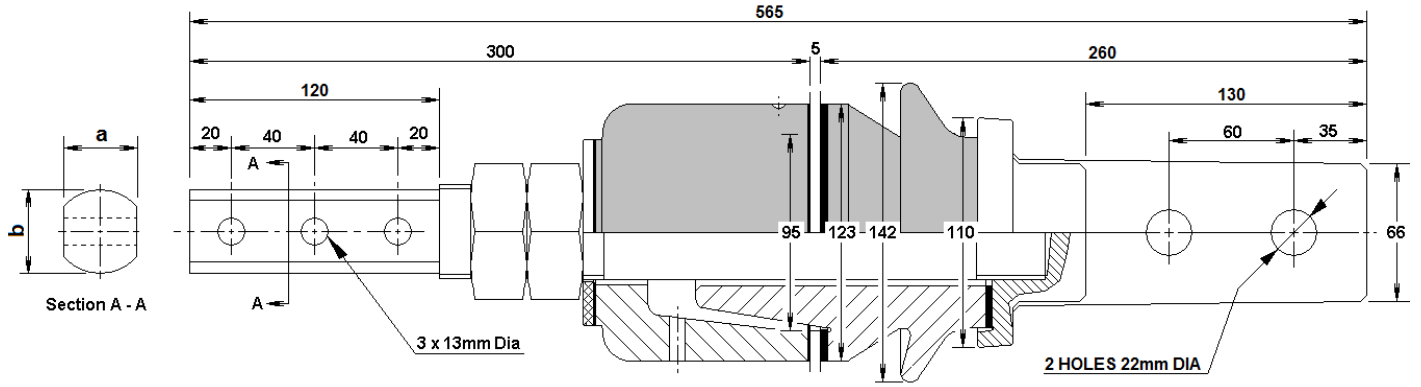
**3.3kV – 2 PIECE BUSHING ASSEMBLY TO ESAA 2/3/5M**



**Voltage Rating** = 3.3kV  
**Current Rating** = Refer Chart Below  
**Arcing Distance** = 90mm  
**Creep Distance** = 115mm  
**Impulse Level** = 40kV BIL  
**Wet Withstand Voltage** = 10kV  
**Tank Hole Diameter** = 95mm  
**Porcelain Colour** = MUNSELL GREY 5BG – 7.0/0.4

ZEP PART No.	STEM DIA D1	STEM MATERIAL	PALM HOLE SIZE-D2	CURRENT RATING (A)	MASS (kg)
CU744536B11	45	COPPER	18	2650	13.68
CU744544B11	45	COPPER	22	2650	13.38
CU744844B11	48	COPPER	22	3150	14.00

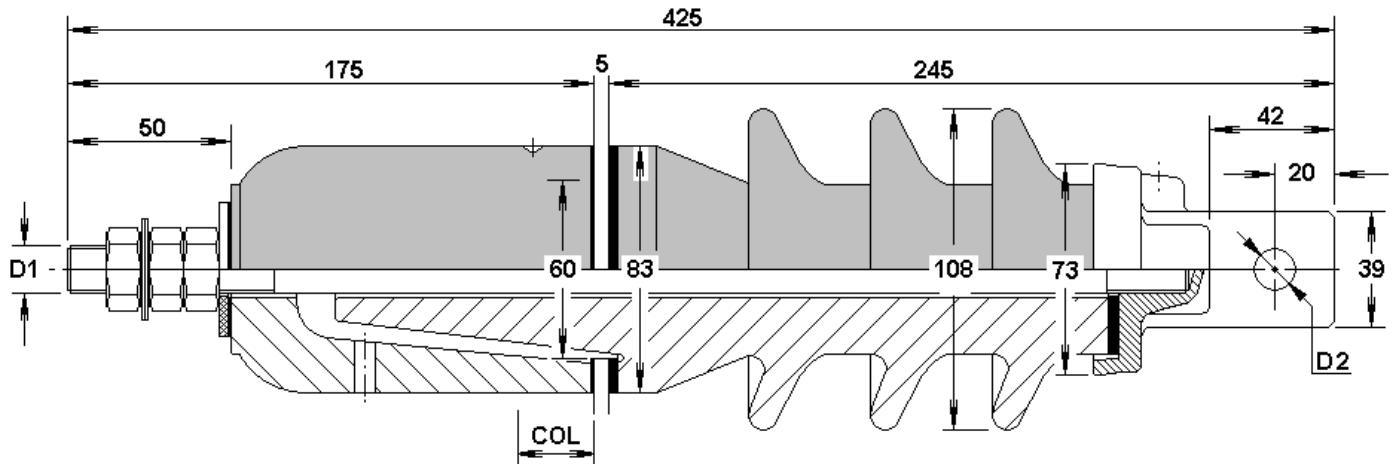
**3.3kV – 2 PIECE BUSHING ASSEMBLY TO ESAA 2/3/5M - SPECIAL**



- Voltage Rating** = 3.3kV
- Current Rating** = Refer Chart Below
- Arcing Distance** = 90mm
- Creep Distance** = 115mm
- Impulse Level** = 40kV BIL
- Wet Withstand Voltage** = 10kV
- Tank Hole Diameter** = 95mm
- Porcelain Colour** = MUNSSELL GREY 5BG – 7.0/0.4

ZEP PART No.	STEM DIAMETER	STEM MATERIAL	DIMENSION (a)	DIMENSION (b)	CURRENT RATING (A)	MASS (kg)
CU744544-SPEC	45	COPPER	40	35	2650	13.0
CU744844-SPEC	48	COPPER	44	36	3150	13.5

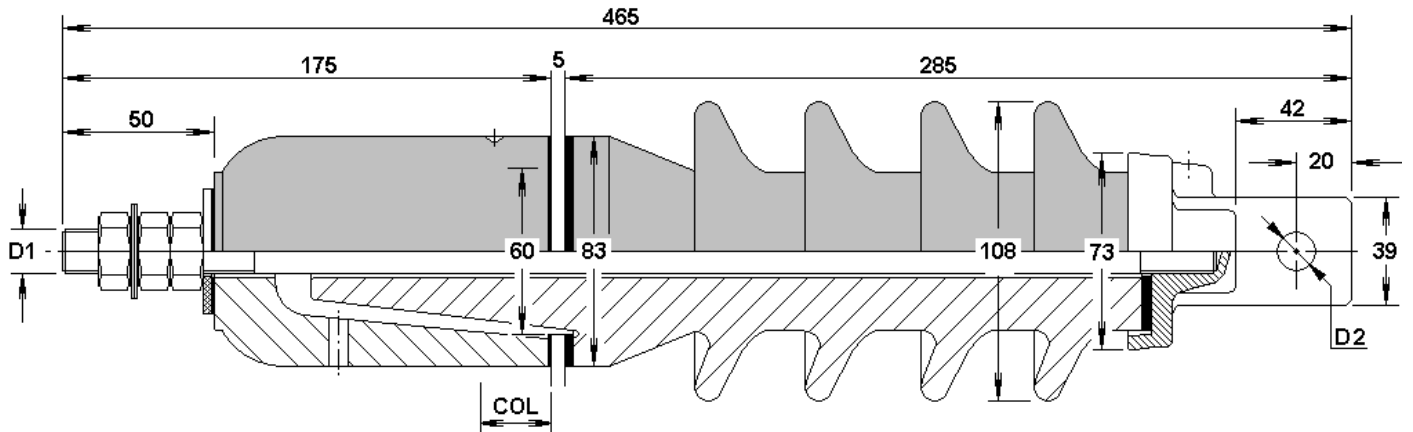
**11kV – 2 PIECE BUSHING ASSEMBLY TO ESAA 2/3/6M**



- |  |                                     |
|--|-------------------------------------|
| <b>Voltage Rating</b>                  | <b>= 11kV</b>                       |
| <b>Current Rating</b>                  | <b>= Refer Chart Below</b>          |
| <b>Arcing Distance</b>                 | <b>= 175mm</b>                      |
| <b>Creep Distance</b>                  | <b>= 285mm</b>                      |
| <b>Impulse Level</b>                   | <b>= 95kV BIL</b>                   |
| <b>Wet Withstand Voltage</b>           | <b>= 28kV</b>                       |
| <b>Pollution Level (IEC 273 / 815)</b> | <b>= Level 3 – Heavy Pollution</b>  |
| <b>Pollution Performance No. (PPN)</b> | <b>= 44</b>                         |
| <b>Tank Hole Diameter</b>              | <b>= 60mm</b>                       |
| <b>Porcelain Colour</b>                | <b>= MUNSELL GREY 5BG – 7.0/0.4</b> |

ZEP PART No.	STEM DIAMETER (D1)	STEM MATERIAL	PALM HOLE SIZE (D2)	CURRENT RATING (A)	COLD OIL LEVEL (COL)	MASS (kg)
BR751211	12mm	BRASS	11mm	200	-19	3.72
BR751214	12mm	BRASS	14mm	200	-19	3.72
BR751614	16mm	BRASS	14mm	300	-19	4.24
CU751614	16mm	COPPER	14mm	500	-19	4.27

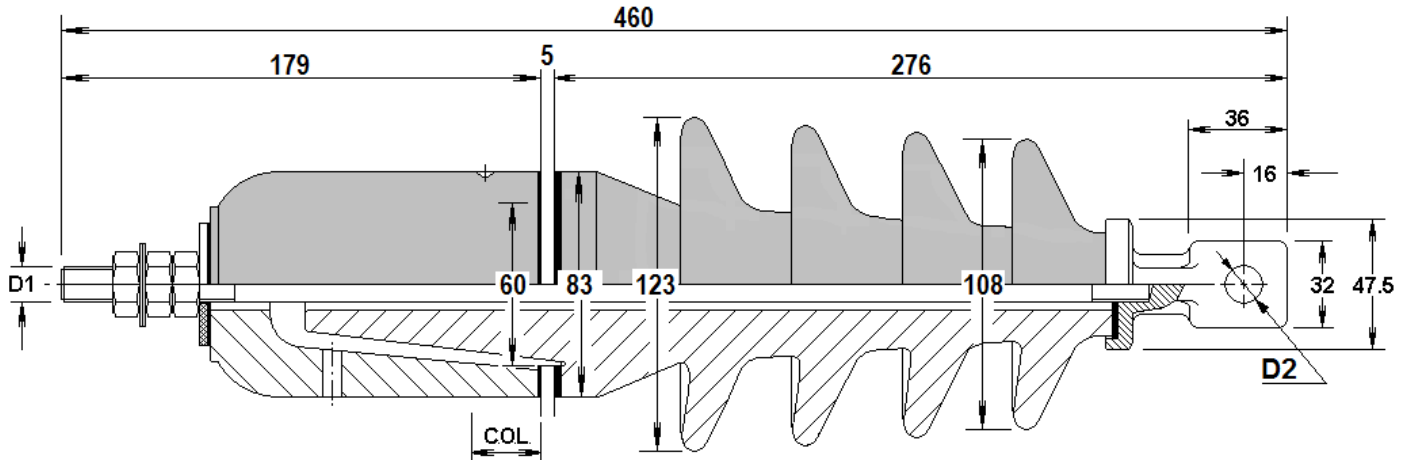
**.12kV – 2 PIECE BUSHING ASSEMBLY TO ESAA 2/3/6M – LONG CREEP**



**Voltage Rating** = 12kV  
**Current Rating** = Refer Chart Below  
**Arcing Distance** = 225mm  
**Creep Distance** = 345mm  
**Impulse Level** = 125kV BIL  
**Wet Withstand Voltage** = 28kV  
**Pollution Level (IEC 273 / 815)** = Level 4 – Very Heavy Pollution  
**Pollution Performance No. (PPN)** = 93  
**Tank Hole Diameter** = 60mm  
**Porcelain Colour** = MUNSELL GREY 5BG – 7.0/0.4

ZEP PART No.	STEM DIAMETER (D1)	STEM MATERIAL	PALM HOLE SIZE (D2)	CURRENT RATING (A)	COLD OIL LEVEL (COL)	MASS (kg)
BR121211	12mm	BRASS	11mm	200	-19	4.5
BR121214	12mm	BRASS	14mm	200	-19	4.5
BR121614	16mm	BRASS	14mm	300	-19	4.7
CU121614	16mm	COPPER	14mm	500	-19	4.7

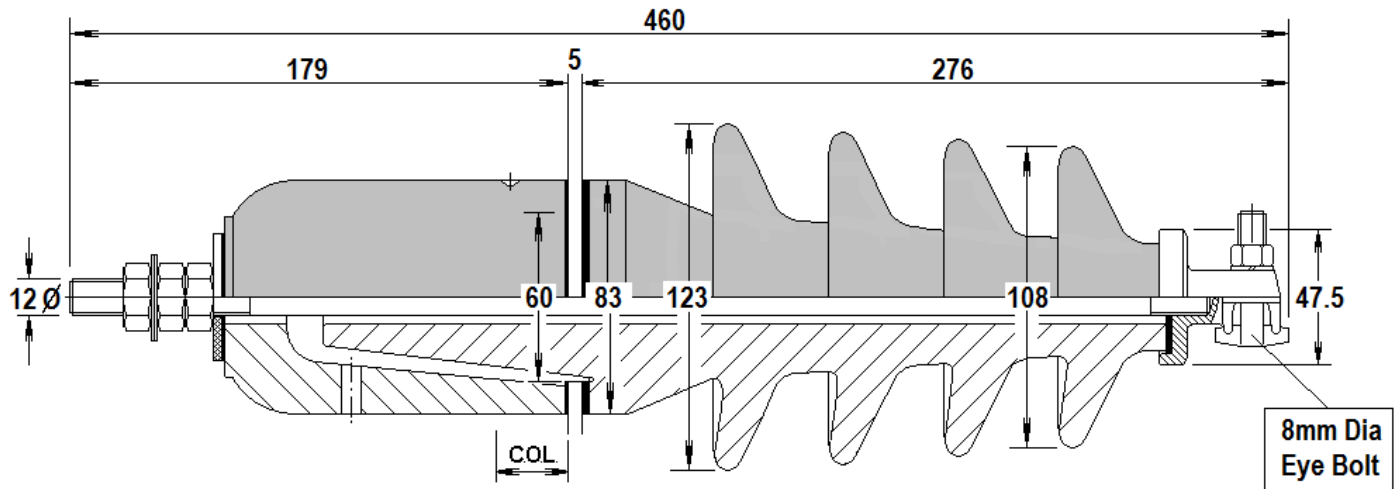
**12kV – 2 PIECE TAPERED SHED GENERALLY IN ACCORDENCE WITH ESAA 2/3/6M**



- Voltage Rating** = 12kV
- Current Rating** = Refer Chart Below
- Arcing Distance** = 235mm
- Creep Distance** = 410mm
- Impulse Level** = 125kV BIL
- Wet Withstand Voltage** = 28kV
- Pollution Level (IEC 273 / 815)** = Level 4 – Very Heavy Pollution
- Pollution Performance No. (PPN)** = 120
- Tank Hole Diameter** = 60mm
- Porcelain Colour** = MUNSSELL GREY 5BG – 7.0/0.4

ZEP PART No.	STEM DIAMETER (D1)	STEM MATERIAL	PALM HOLE SIZE (D2)	CURRENT RATING (A)	COLD OIL LEVEL (COL)	MASS (kg)
TSMS121211	12mm	Mild Steel	11mm	30	-19	3.9
TSMS121214	12mm	Mild Steel	14mm	30	-19	3.9
TSBR1211	12mm	BRASS	11mm	200	-19	3.8
TSBR1214	12mm	BRASS	14mm	200	-19	3.8

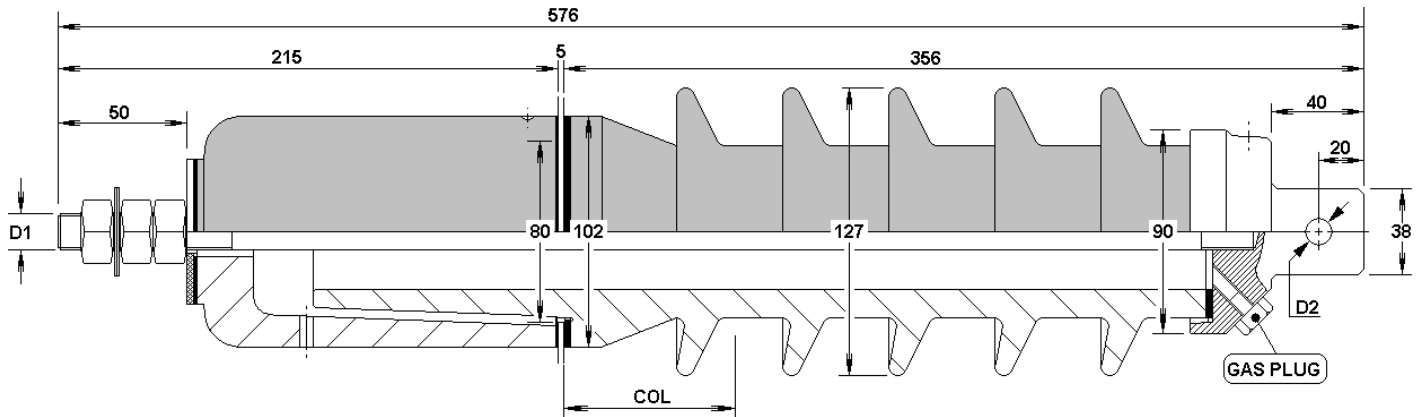
**12kV – 2 PIECE TAPERED SHED GENERALLY IN ACCORDENCE WITH ESAA 2/3/6M COMPLETE WITH 8mm DIAMETER EYE BOLT.**



- Voltage Rating** = 12kV
- Current Rating** = Refer Chart Below
- Arcing Distance** = 235mm
- Creep Distance** = 410mm
- Impulse Level** = 125kV BIL
- Wet Withstand Voltage** = 28kV
- Pollution Level (IEC 273 / 815)** = Level 4 – Very Heavy Pollution
- Pollution Performance No. (PPN)** = 93
- Tank Hole Diameter** = 60mm
- Porcelain Colour** = MUNSELL GREY 5BG – 7.0/0.4

ZEP PART No.	STEM DIAMETER	STEM MATERIAL	CURRENT RATING (A)	COLD OIL LEVEL (COL)	MASS (kg)
TSMS1212EB	12mm	Mild Steel	30	-19	3.9

**22kV – 2 PIECE BUSHING ASSEMBLY TO ESAA 2/3/7M**

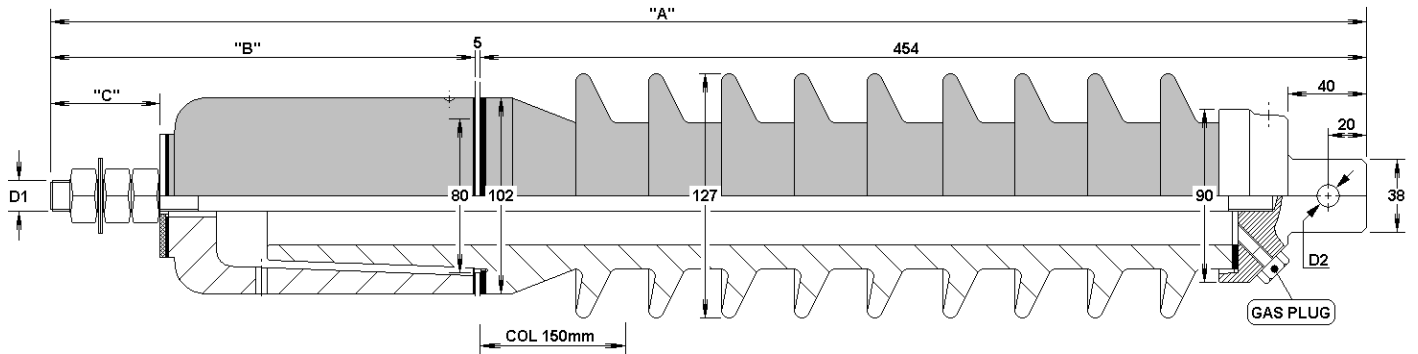


- Voltage Rating** = 22kV
- Current Rating** = Refer Chart Below
- Arcing Distance** = 290mm
- Creep Distance** = 480mm
- Impulse Level** = 150kV BIL
- Wet Withstand Voltage** = 50kV
- Pollution Level (IEC 273 / 815)** = Level 2 – Medium Pollution
- Pollution Performance No. (PPN)** = 30
- Tank Hole Diameter** = 80mm
- Porcelain Colour** = MUNSELL GREY 5BG – 7.0/0.4

ZEP PART No.	STEM DIAMETER (D1)	STEM MATERIAL	PALM HOLE SIZE (D2)	CURRENT RATING (A)	COLD OIL LEVEL (COL)	WEIGHT EACH (kg)
BR241211	12mm	BRASS	11mm	200	+76	6.65
BR241214	12mm	BRASS	14mm	200	+76	6.65
BR241614	16mm	BRASS	14mm	300	+76	7.05
CU241614	16mm	COPPER	14mm	500	+76	7.10



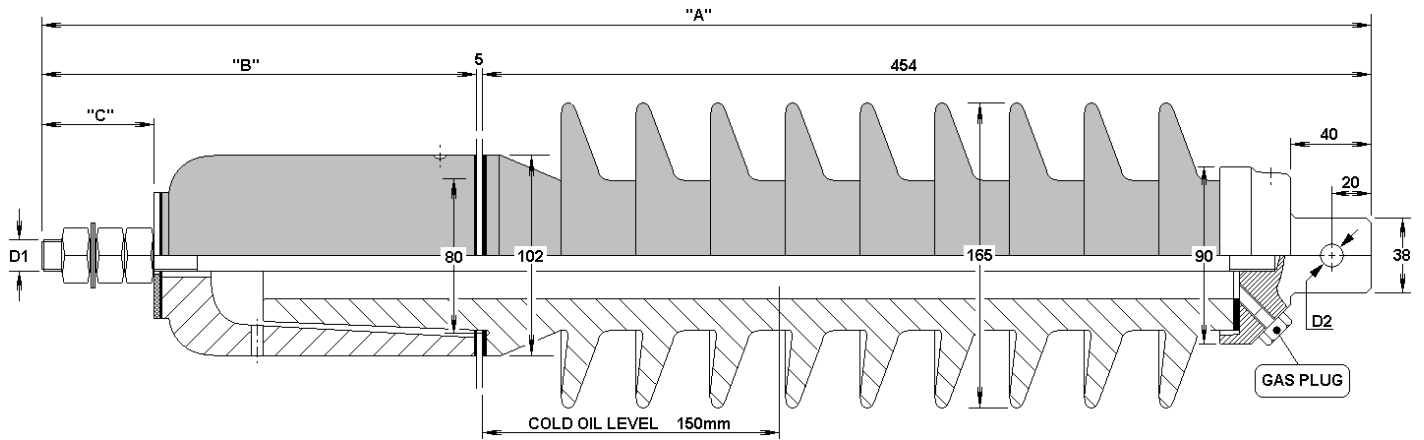
**33kV – 2 PIECE BUSHING ASSEMBLY TO ESAA 2/3/7M - EXTENDED CREEP #81 ASSY**



- Voltage Rating** = 33kV
- Current Rating** = Refer Chart Below
- Arcing Distance** = 400mm
- Creep Distance** = 700mm
- Impulse Level** = 200kV BIL
- Wet Withstand Voltage** = 70kV
- Pollution Level (IEC 273 / 815)** = Level 2 – Medium Pollution
- Pollution Performance No. (PPN)** = 24.5
- Tank Hole Diameter** = 80mm
- Porcelain Colour** = MUNSELL GREY 5BG – 7.0/0.4

ZEP PART No.	STEM DIA D1	STEM MATERIAL	PALM HOLE SIZE-D2	CURRENT RATING (A)	"A"	"B"	"C"	WEIGHT EACH (kg)
BR811011	10	COPPER	11mm	167	680	220	55	8.8
BR811214	12	BRASS	14mm	200	680	220	55	9.0
BR811614	16	BRASS	14mm	300	685	225	60	9.45
CU811611	16	COPPER	11mm	500	685	225	60	9.45
CU811614	16	COPPER	14mm	500	685	225	60	9.45

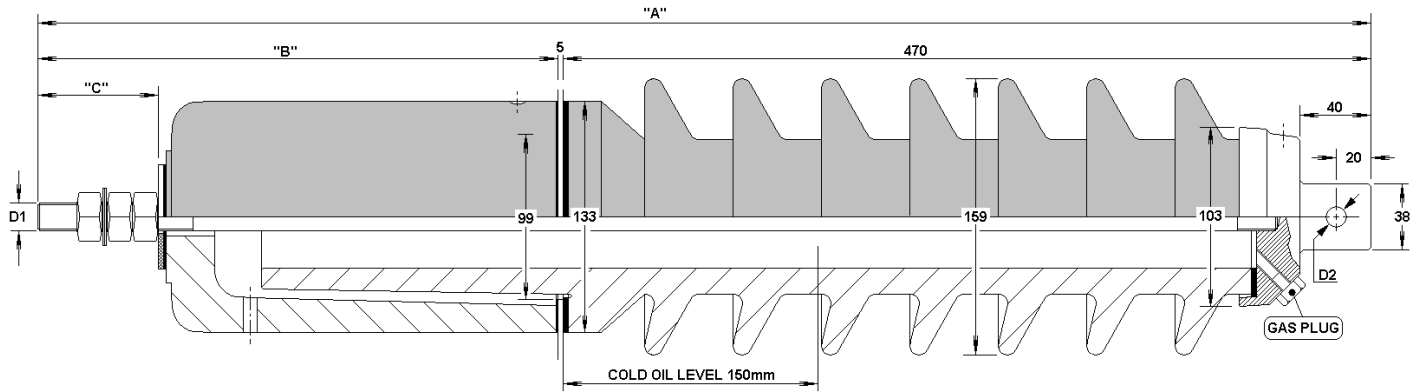
**33kV – 2 PIECE BUSHING ASSEMBLY TO ESAA 2/3/7M - EXTENDED CREEP #82 ASSY**



- Voltage Rating** = 33kV
- Current Rating** = Refer Chart Below
- Arcing Distance** = 400mm
- Creep Distance** = 1067mm
- Impulse Level** = 200kV BIL
- Wet Withstand Voltage** = 70kV
- Pollution Level (IEC 273 / 815)** = Level 4 –Very Heavy Pollution
- Pollution Performance No. (PPN)** = 83
- Tank Hole Diameter** = 80mm
- Porcelain Colour** = MUNSSELL GREY 5BG – 7.0/0.4

ZEP PART No.	STEM DIA D1	STEM MATERIAL	PALM HOLE SIZE-D2	CURRENT RATING (A)	"A"	"B"	"C"	MASS (kg)
BR821011	10mm	COPPER	11mm	167	680	220	55	12.4
BR821214	12mm	BRASS	14mm	200	680	220	55	12.6
BR821614	16mm	BRASS	14mm	300	680	220	55	13.1
CU821614	16mm	COPPER	14mm	500	685	225	60	13.1

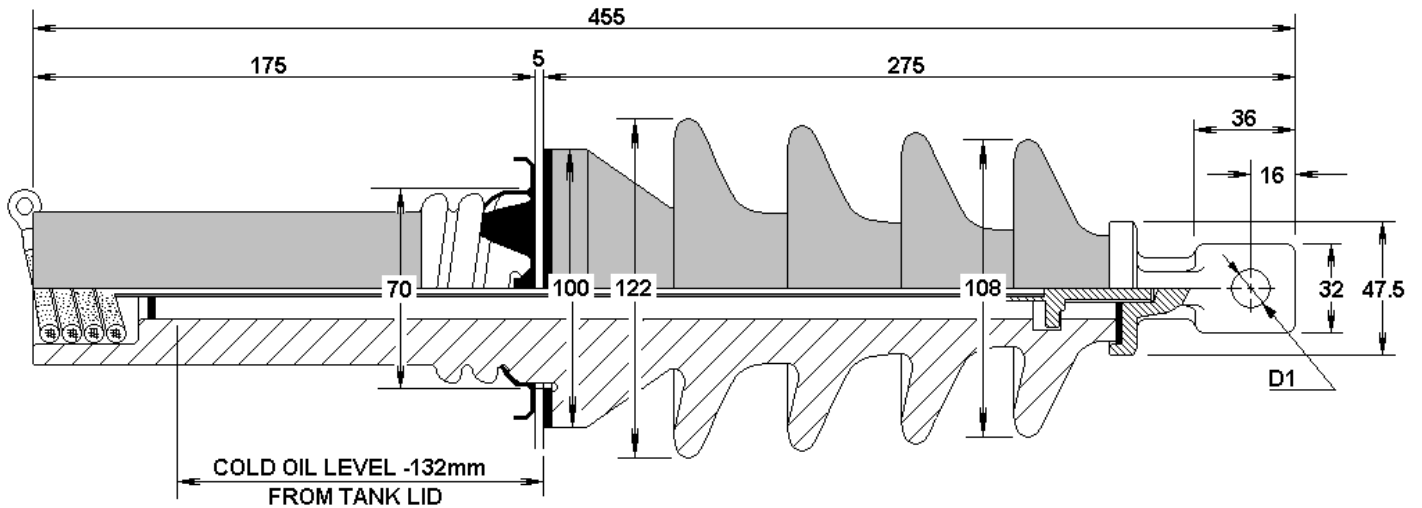
**33kV – 2 PIECE BUSHING ASSEMBLY TO ESAA 2/3/8M - #78 ASSY**



- Voltage Rating** = 33kV
- Current Rating** = Refer Chart Below
- Arcing Distance** = 400mm
- Creep Distance** = 780mm
- Impulse Level** = 200kV BIL
- Wet Withstand Voltage** = 70kV
- Pollution Level (IEC 273 / 815)** = Level 2 –Medium Pollution
- Pollution Performance No. (PPN)** = 27
- Tank Hole Diameter** = 99mm
- Porcelain Colour** = MUNSELL GREY 5BG – 7.0/0.4

ZEP PART No.	STEM DIA D1	STEM MATERIAL	PALM HOLE SIZE-D2	CURRENT RATING (A)	"A"	"B"	"C"	MASS (kg)
BR781611	16mm	BRASS	11mm	300	761	290	50	14.5
BR781614	16mm	BRASS	14mm	300	761	290	50	14.55
CU781614	16mm	COPPER	14mm	500	761	290	50	14.55

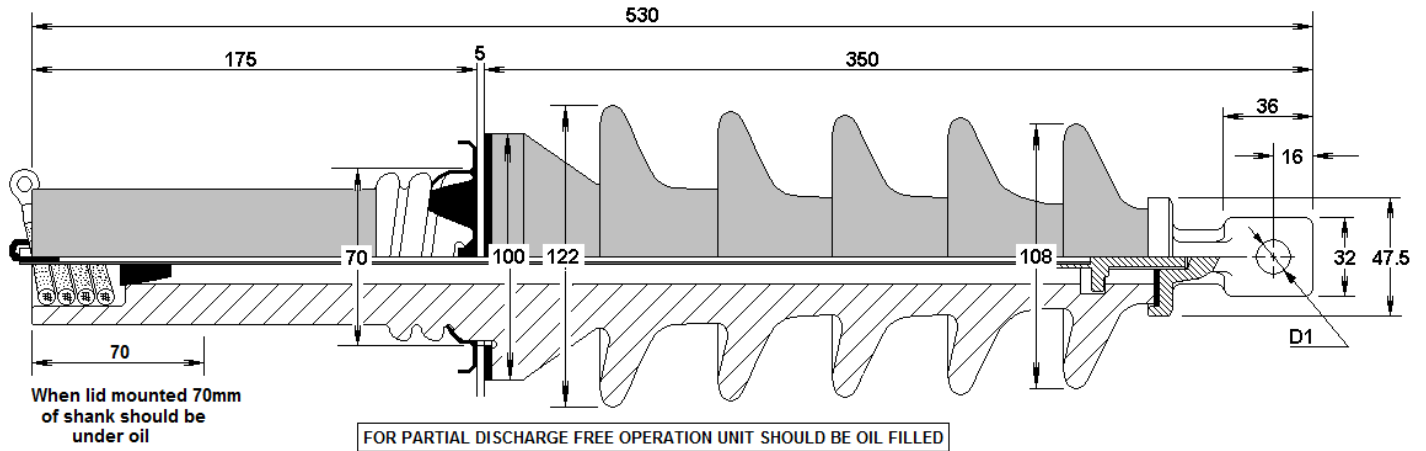
**12kV – SINGLE PIECE BUSHING ASSEMBLY**



- Voltage Rating** = 12kV
- Current Rating** = 30A
- Arcing Distance** = 235mm
- Creep Distance** = 410mm
- Impulse Level** = 125kV BIL
- Wet Withstand Voltage** = 28kV
- Pollution Level (IEC 273 / 815)** = Level 4– Very Heavy Pollution
- Pollution Performance No. (PPN)** = 125
- Tank Hole Diameter** = 70mm
- Porcelain Colour** = MUNSSELL GREY 5BG – 7.0/0.4

ZEP PART No.	PALM HOLE D1 (mm)	CURRENT RATING (A)	MASS (kg)
TS120011	11	30	3.65
TS120014	14	30	3.65

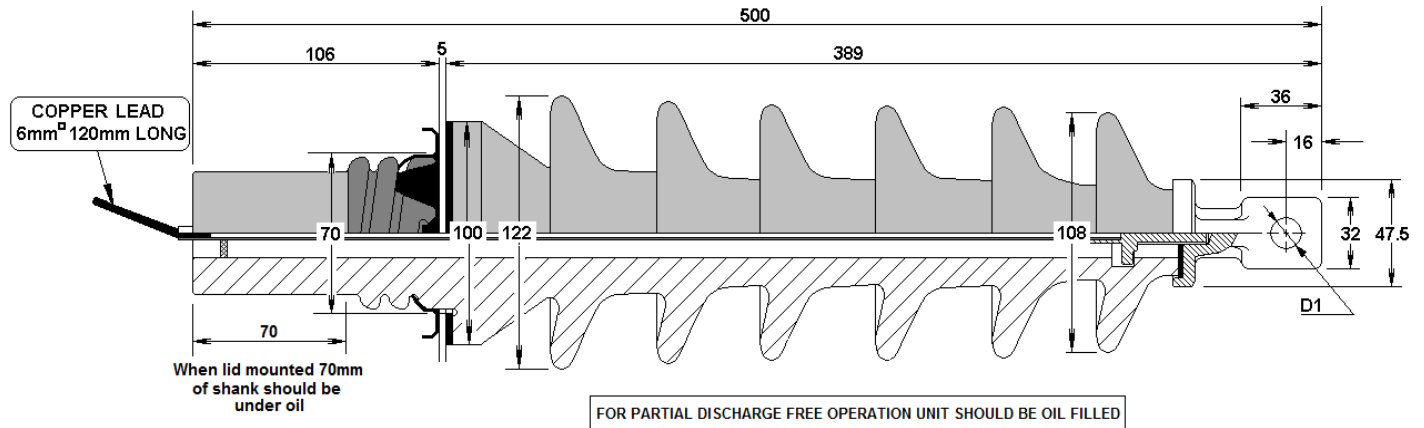
**22kV – SINGLE PIECE BUSHING ASSEMBLY**



- Voltage Rating** = 22kV
- Current Rating** = 30A
- Arcing Distance** = 290mm
- Creep Distance** = 535mm
- Impulse Level** = 150kV BIL
- Wet Withstand Voltage** = 50kV
- Pollution Level (IEC 273 / 815)** = Level 2– Medium Pollution
- Pollution Performance No. (PPN)** = 34
- Tank Hole Diameter** = 70mm
- Porcelain Colour** = MUNSELL GREY 5BG – 7.0/0.4

ZEP PART No.	PALM HOLE D1 (mm)	CURRENT RATING (A)	MASS (kg)
TS240011AP	11	30	4.45
TS240014AP	14	30	4.45

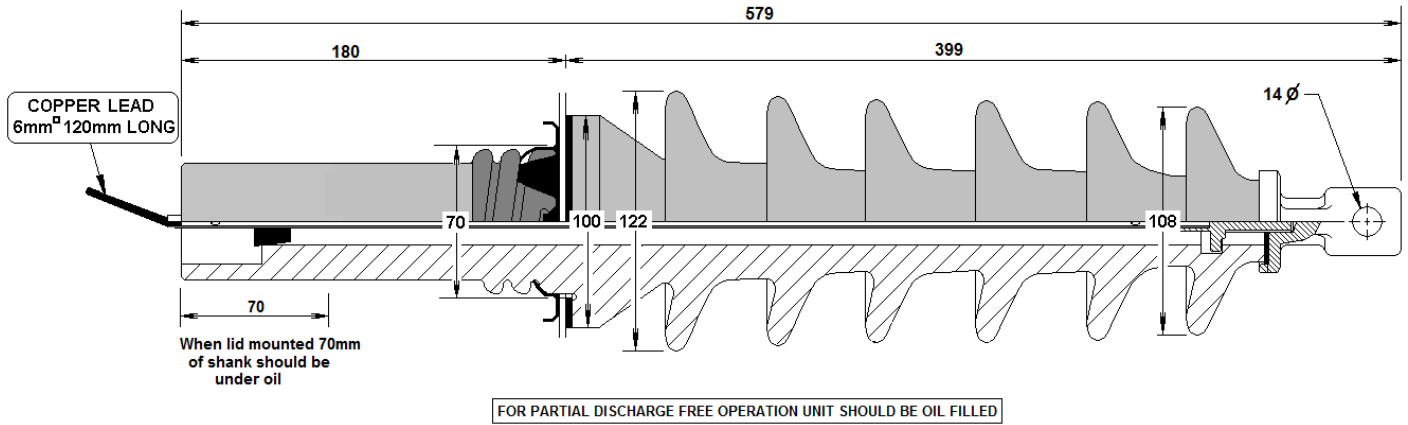
**22kV – SINGLE PIECE BUSHING ASSEMBLY –SHORT SHANK – 600mm CREEP**



<b>Voltage Rating</b>	<b>= 22kV</b>
<b>Current Rating</b>	<b>= 30A</b>
<b>Arcing Distance</b>	<b>= 340mm</b>
<b>Creep Distance</b>	<b>= 600mm</b>
<b>Impulse Level</b>	<b>= 150kV BIL</b>
<b>Wet Withstand Voltage</b>	<b>= 50kV</b>
<b>Pollution Level (IEC 273 / 815)</b>	<b>= Level 3- Heavy Pollution</b>
<b>Pollution Performance No. (PPN)</b>	<b>= 54</b>
<b>Tank Hole Diameter</b>	<b>= 70mm</b>
<b>Porcelain Colour</b>	<b>= MUNSELL GREY 5BG – 7.0/0.4</b>

ZEP PART No.	PALM HOLE D1 (mm)	CURRENT RATING (A)	MASS (kg)
TS241114SS	14	30	4.30

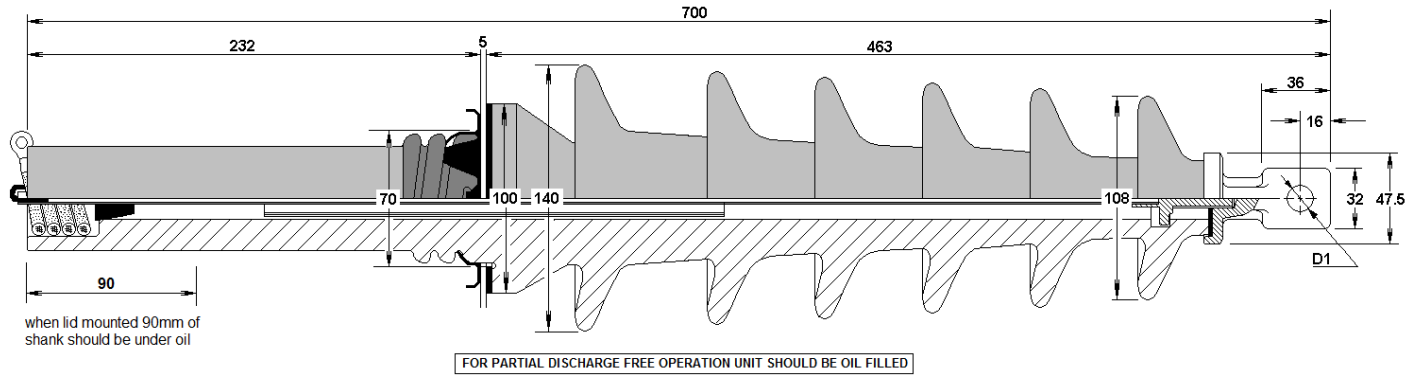
**22kV – SINGLE PIECE BUSHING ASSEMBLY – 600mm CREEP**



- |  |                                     |
|--|-------------------------------------|
| <b>Voltage Rating</b>                  | <b>= 22kV</b>                       |
| <b>Current Rating</b>                  | <b>= 30A</b>                        |
| <b>Arcing Distance</b>                 | <b>= 340mm</b>                      |
| <b>Creep Distance</b>                  | <b>= 600mm</b>                      |
| <b>Impulse Level</b>                   | <b>= 150kV BIL</b>                  |
| <b>Wet Withstand Voltage</b>           | <b>= 50kV</b>                       |
| <b>Pollution Level (IEC 273 / 815)</b> | <b>= Level 3– Heavy Pollution</b>   |
| <b>Pollution Performance No. (PPN)</b> | <b>= 54</b>                         |
| <b>Tank Hole Diameter</b>              | <b>= 70mm</b>                       |
| <b>Porcelain Colour</b>                | <b>= MUNSELL GREY 5BG – 7.0/0.4</b> |

ZEP PART No.	PALM HOLE	CURRENT RATING (A)	MASS (kg)
TS241114LS	14mm	30	4.80

**33kV – SINGLE PIECE BUSHING ASSEMBLY**

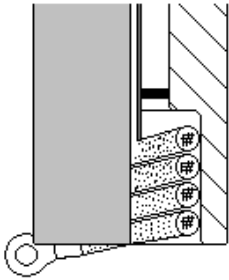


<b>Voltage Rating</b>	<b>= 33kV</b>
<b>Current Rating</b>	<b>= 30A</b>
<b>Arcing Distance</b>	<b>= 400mm</b>
<b>Creep Distance</b>	<b>= 700mm</b>
<b>Impulse Level</b>	<b>= 170kV BIL</b>
<b>Wet Withstand Voltage</b>	<b>= 70kV</b>
<b>Pollution Level (IEC 273 / 815)</b>	<b>= Level 2– Medium Pollution</b>
<b>Pollution Performance No. (PPN)</b>	<b>= 22</b>
<b>Tank Hole Diameter</b>	<b>= 70mm</b>
<b>Porcelain Colour</b>	<b>= MUNSSELL GREY 5BG – 7.0/0.4</b>

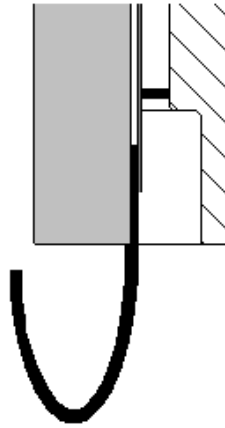
ZEP PART No.	PALM HOLE D1 (mm)	CURRENT RATING (A)	MASS (kg)
TS360014AP	14	30	6.60



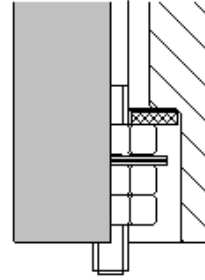
**INTERNAL CONNECTION OPTIONS ON  
SINGLE PIECE BUSHING ASSEMBLIES**



**RETRACTABLE  
SPRING**



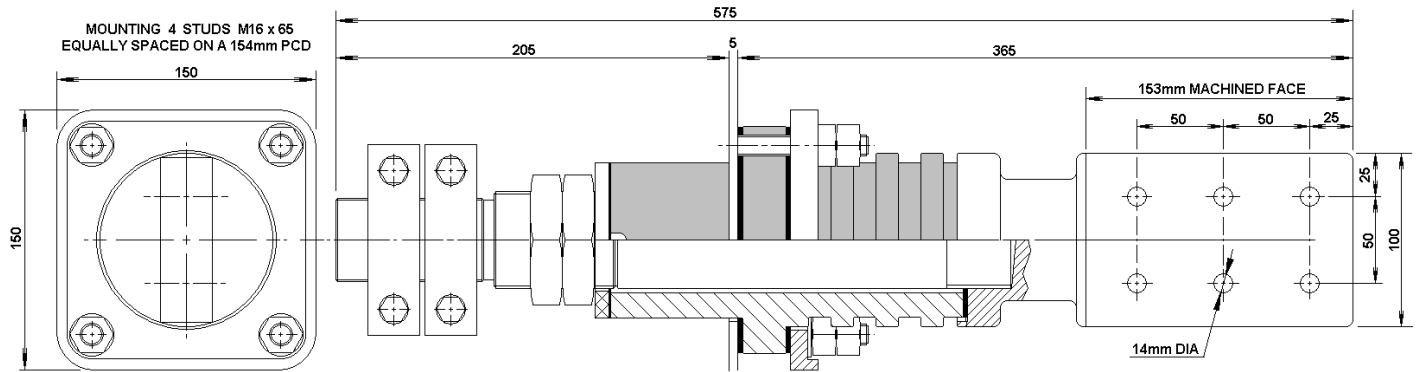
**7/1.04 BARE  
COPPER WIRE**



**THREADED STUD  
+ NUTS AND WASHERS**

**CONTACT ZEP OFFICE FOR MORE DETAILS ON UNITS AVAILABLE IN THE RANGE**

**3.6kV – HIGH CURRENT BUSHING ASSEMBLY**



- |                              |                                     |
|------------------------------|-------------------------------------|
| <b>Voltage Rating</b>        | <b>= 3.6kV</b>                      |
| <b>Current Rating</b>        | <b>= REFER CHART</b>                |
| <b>Arcing Distance</b>       | <b>= 140mm</b>                      |
| <b>Creep Distance</b>        | <b>= 66mm</b>                       |
| <b>Impulse Level</b>         | <b>= 40kV BIL</b>                   |
| <b>Wet Withstand Voltage</b> | <b>= 10kV</b>                       |
| <b>Tank Hole Diameter</b>    | <b>= 94mm</b>                       |
| <b>Porcelain Colour</b>      | <b>= MUNSELL GREY 5BG – 7.0/0.4</b> |

ZEP PART No.	CURRENT RATING (A)	TOTAL MASS (kg)
SPSQ4884	3300	15.85
SPSQ5684	4500	21.90

*All information contained is subject to change without notice.*