

Product Data Sheet for ZEPWW range of Resin Cast Equipment Bushings to EN 50180:

12kV - 24kV 250A INTERFACE “A”

ZEP Types:-

EPS24/250U-T16 – Equivalent to K180AR-1/J

EPS24/250U1-T16 – Equivalent to K180AR-2/J

EPS24/250K1-T16 – Equivalent to K180AR-3/J

Application:

For use in equipment insulated with oil fluid, typically for transformers, switchgear and capacitors.

Specifications and Standards:

The plug in type equipment bushings Type EPS24/250..... meet the requirements of CENELEC, EN 50180 and AS/NZ 60137

Routine Electrical Tests:

Each unit is AC Power Frequency Withstand tested and Partial Discharge tested prior to leaving the factory.

Routine Mechanical Tests:

All units undergo Visual Inspection and Dimensional Check
All units undergo an Air Leakage test

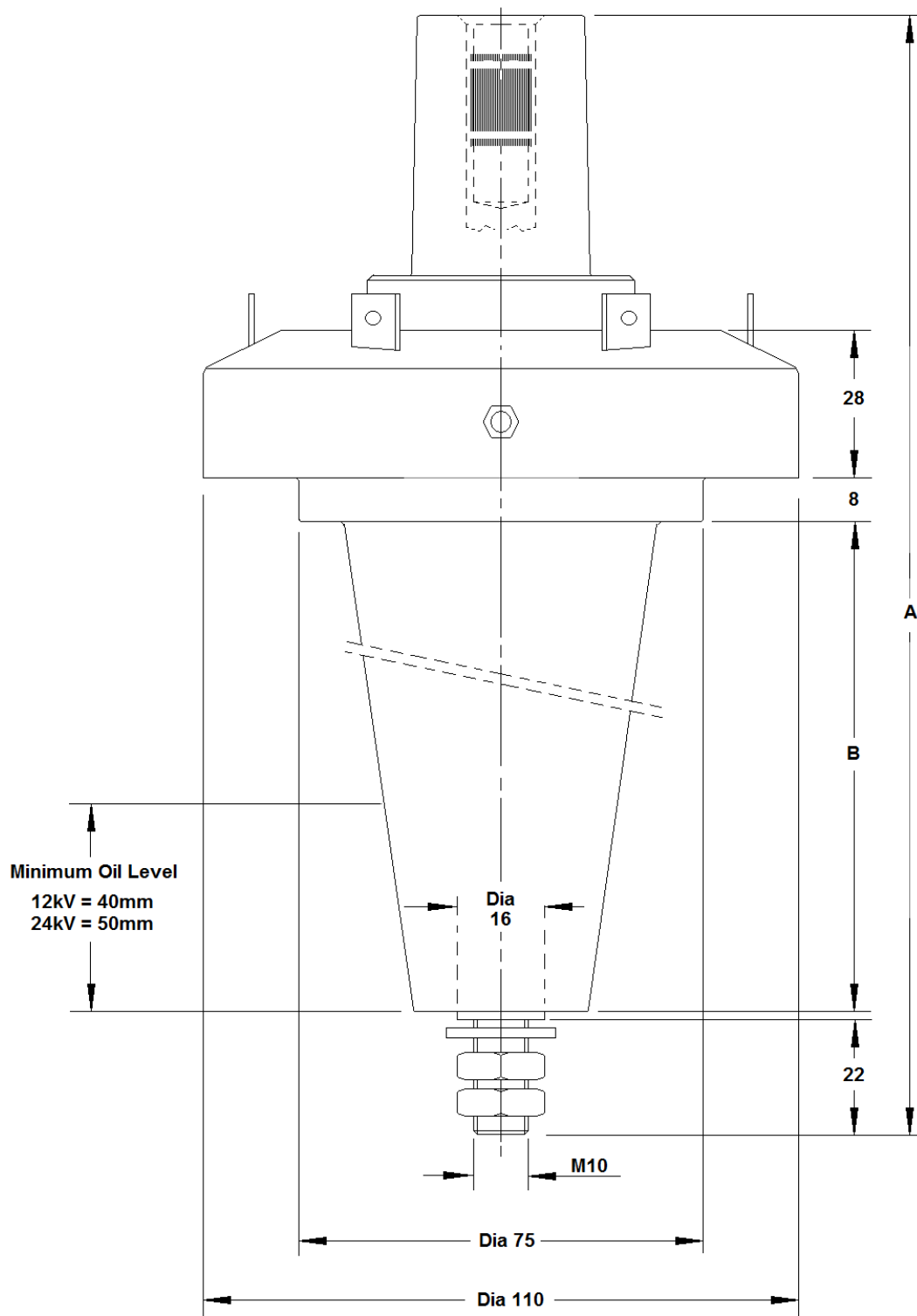
Design:

The equipment bushings are moulded using the best epoxy available (Huntsman) to provide insulation in accordance with CENELEC EN 50180 and IEC 60137

Clamping Kit Equipment Supplied with Bushings:

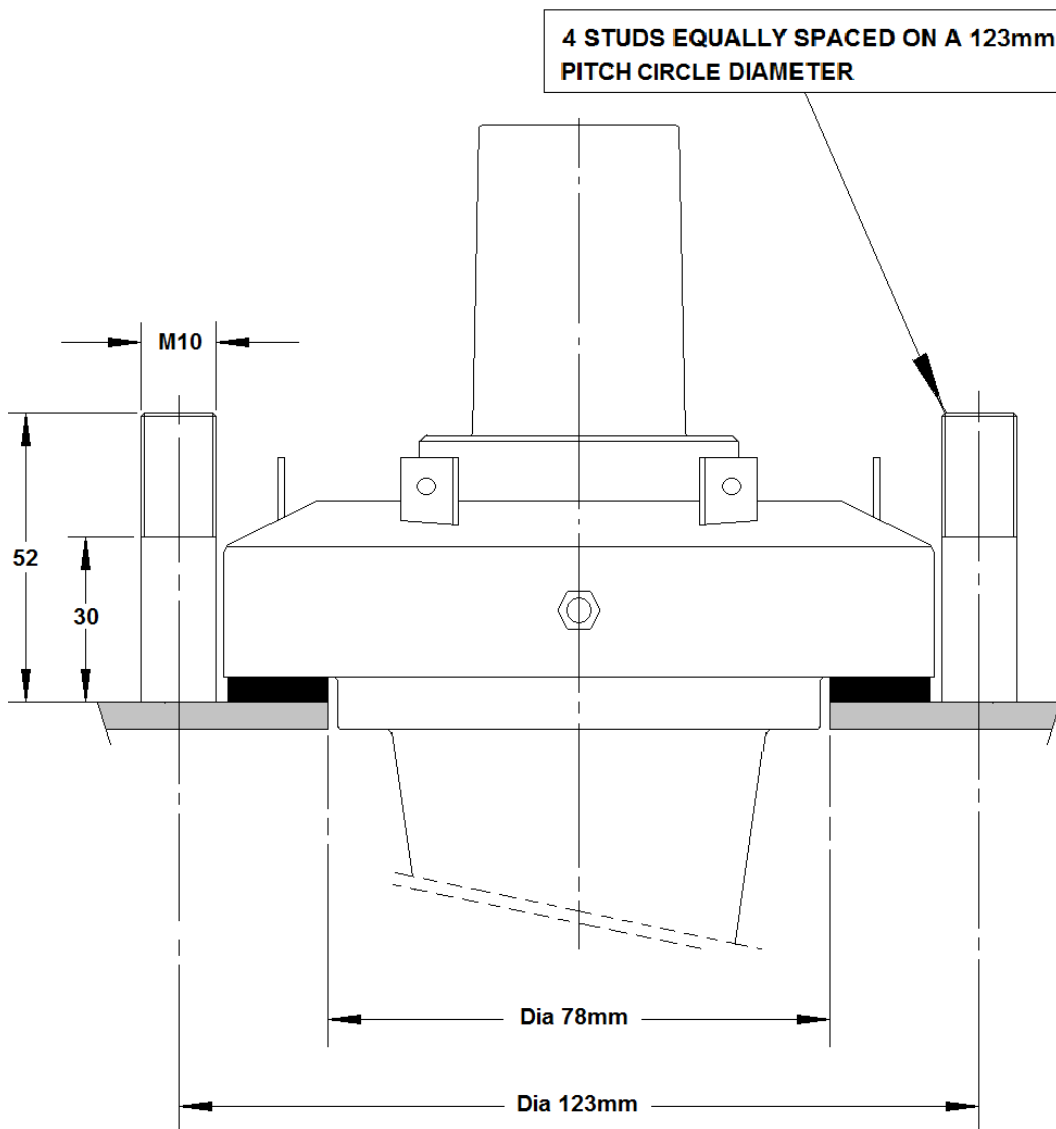
Bushing types as listed in Table on page 2 come complete with bushing clamping kit according to DIN 42 538 consisting of:

- 1 x sealing gasket
- 1 x fixing flange A – (Mild Steel Zinc Plated)
- 4 x Stud clamps E
- 1 x Earth jumper lead fixed to bushing



TYPE	Voltage Ur (kV)	Current Ir (A)	Dimensions (mm)	
			A	B
EPS24/250U-T16	24	250	224	106
EPS24/250U1-T16	24	250	284	165
EPS24/250K1-T16	24	250	171	55

Fixing Dimensions DIN 42 538:



Type Tests conducted on units:

- i) Verification of Dimensions
- ii) Dry Lightning Impulse Withstand Voltage Test
- iii) Dry Power Frequency withstand voltage test
- iv) Measurement of Partial Discharge quantity
- v) Cantilever load test
- vi) Temperature Rise test
- vii) Verification of Thermal Short Time Current Withstand.

12kV-24kV-36kV 400A INTERFACE “B”

ZEP TYPE:-

EPS36/400-1-B - Equivalent to M400T1-J & K400T1-J

Application:

For use in equipment insulated with oil fluid, typically for transformers, switchgear and capacitors.

Specifications and Standards:

The plug in type equipment bushings Type EPS36/400..... meet the requirements of CENELEC, EN 50180 and AS/NZ 60137

Routine Electrical Tests:

Each unit is AC Power Frequency Withstand tested and Partial Discharge tested prior to leaving the factory.

Routine Mechanical Tests:

All units undergo Visual Inspection and Dimensional Check
All units undergo an Air Leakage test

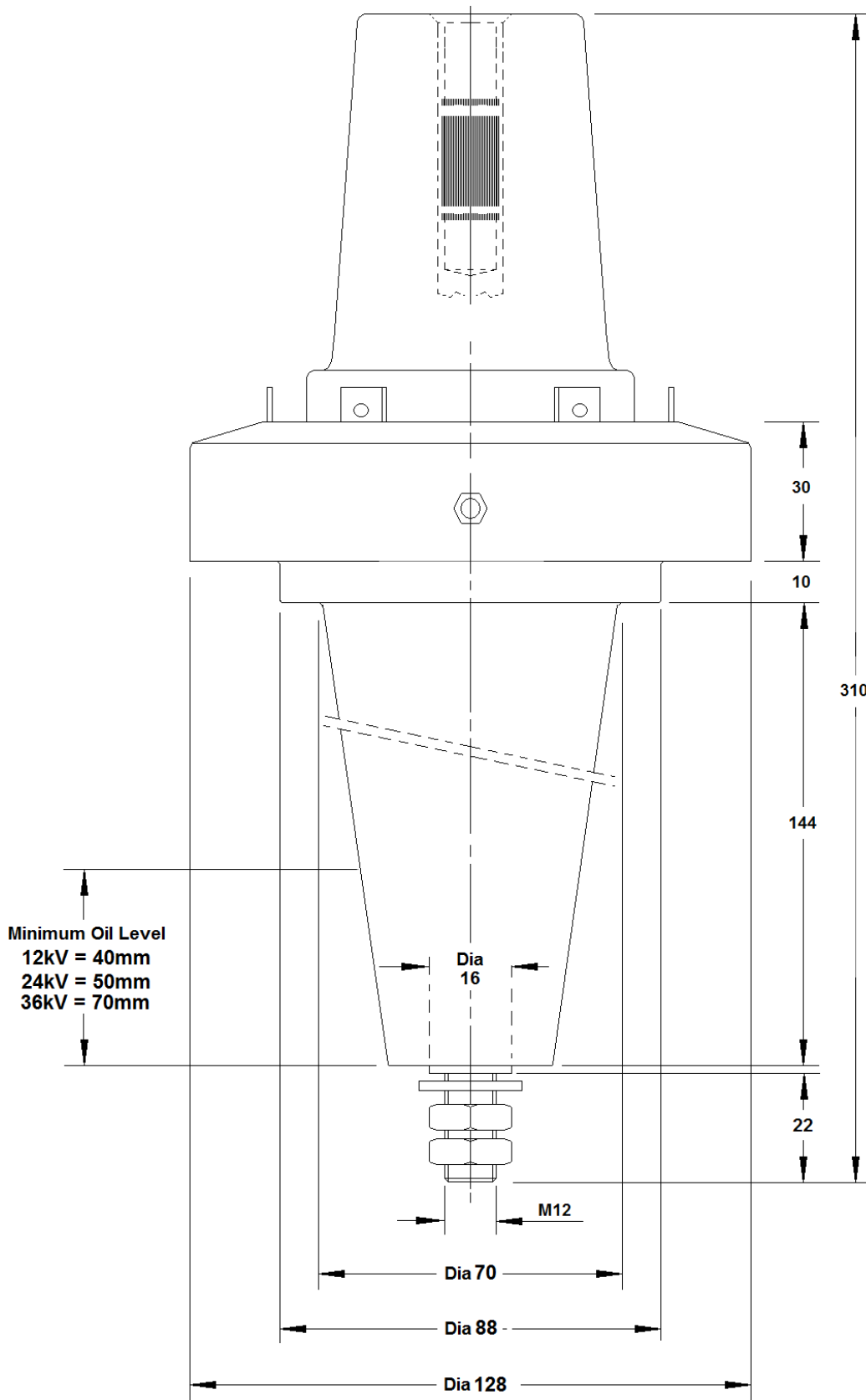
Design:

The equipment bushings are moulded using the best epoxy available (Huntsman) to provide insulation in accordance with CENELEC, EN 50180 and IEC 60137

Clamping Kit Equipment Supplied with Bushings:

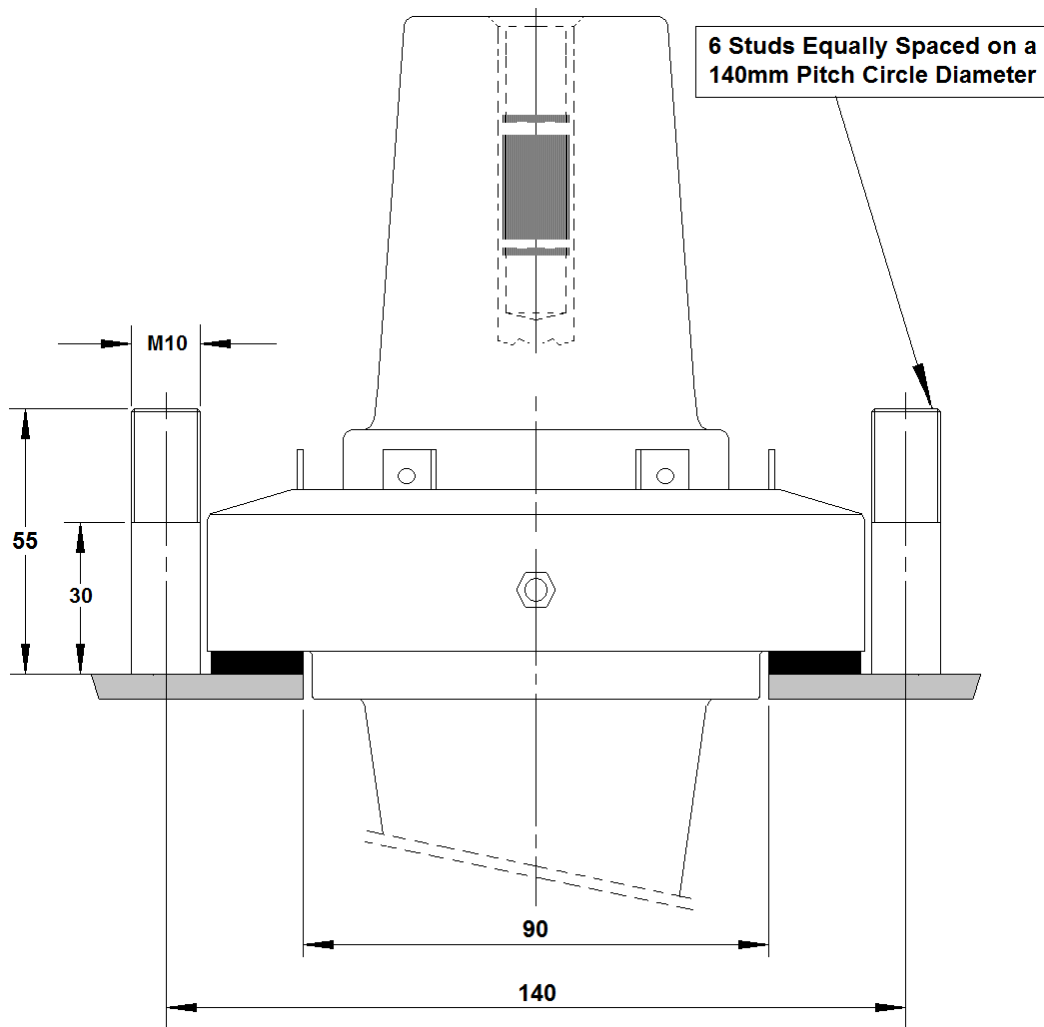
Bushing type as listed above comes complete with bushing clamping kit according to DIN 42 538 consisting of:

- 1 x sealing gasket
- 1 x fixing flange B – Material to customer preference (Mild Steel Zinc Plated or Stainless Steel)
- 6 x Stud clamps E
- 1 x Earth jumper lead fixed to bushing as standard



TYPE	Voltage Ur (kV)	Current Ir (A)
EPS36/400-1-B	36	400

Fixing Dimensions DIN 42 538:



Type Tests conducted on units:

- viii) Verification of Dimensions
- ix) Dry Lightning Impulse Withstand Voltage Test
- x) Dry Power Frequency withstand voltage test
- xi) Measurement of Partial Discharge quantity
- xii) Cantilever load test
- xiii) Temperature Rise test
- xiv) Verification of Thermal Short Time Current Withstand.

12kV-24kV-36kV 630A INTERFACE “C”

ZEPWW TYPE: - EPS36/630-3-C Equivalent to M400AR-3/J & K400AR-3J

Application:

For use in equipment insulated with oil fluid, typically for transformers, switchgear and capacitors.

Specifications and Standards:

The plug in type equipment bushings Type EPS36/630..... meet the requirements of CENELEC, EN 50180 and AS/NZ 60137

Routine Electrical Tests:

Each unit is AC Power Frequency Withstand tested and Partial Discharge tested prior to leaving the factory.

Routine Mechanical Tests:

All units undergo Visual Inspection and Dimensional Check
All units undergo an Air Leakage test

Design:

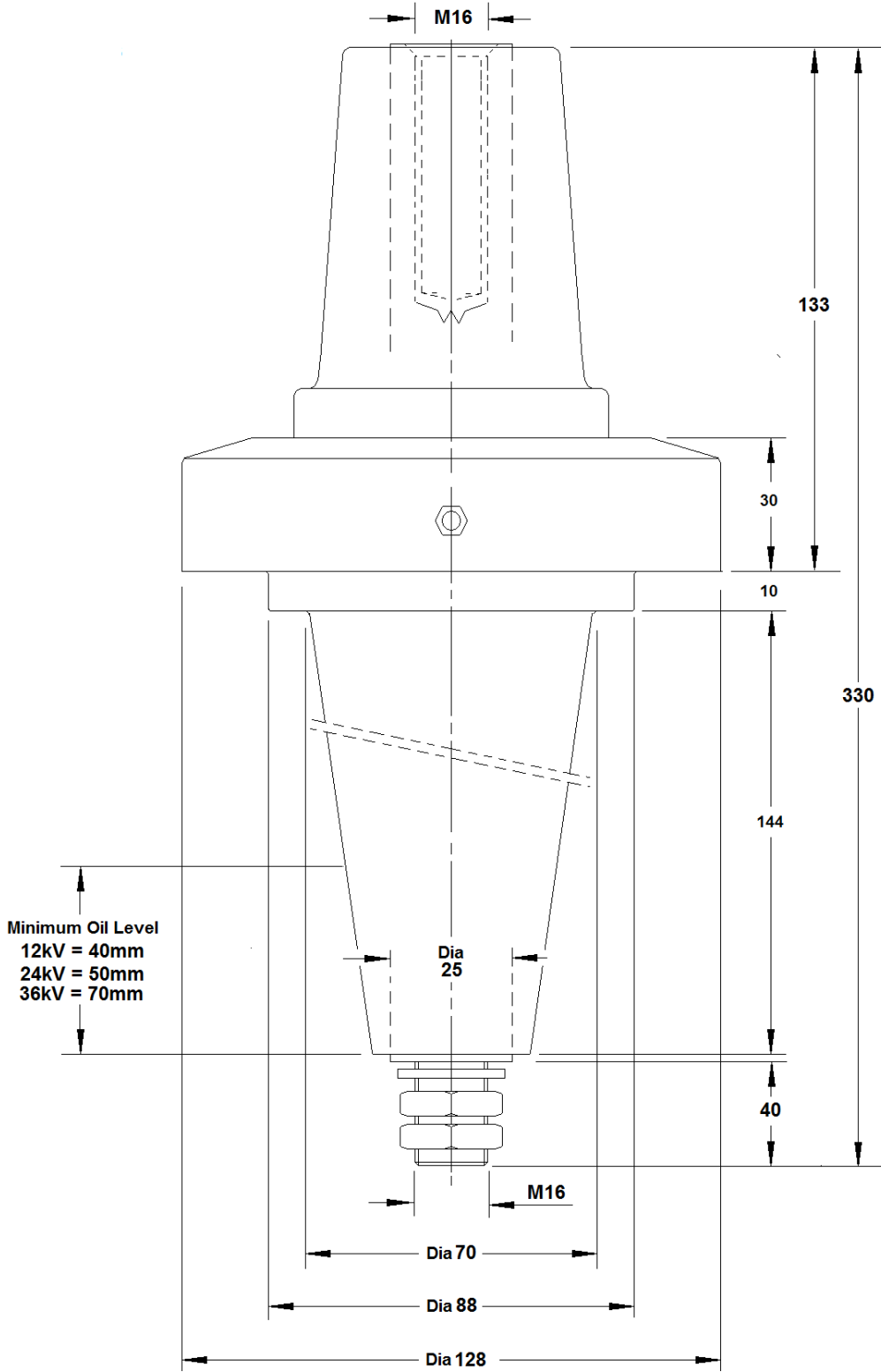
The equipment bushings are moulded using the best epoxy available (Huntsman) to provide insulation in accordance with CENELEC, EN 50180 and IEC 60137

Clamping Kit Equipment Supplied with Bushings:

Bushing type as listed above comes complete with bushing clamping kit according to DIN 42 538 consisting of:

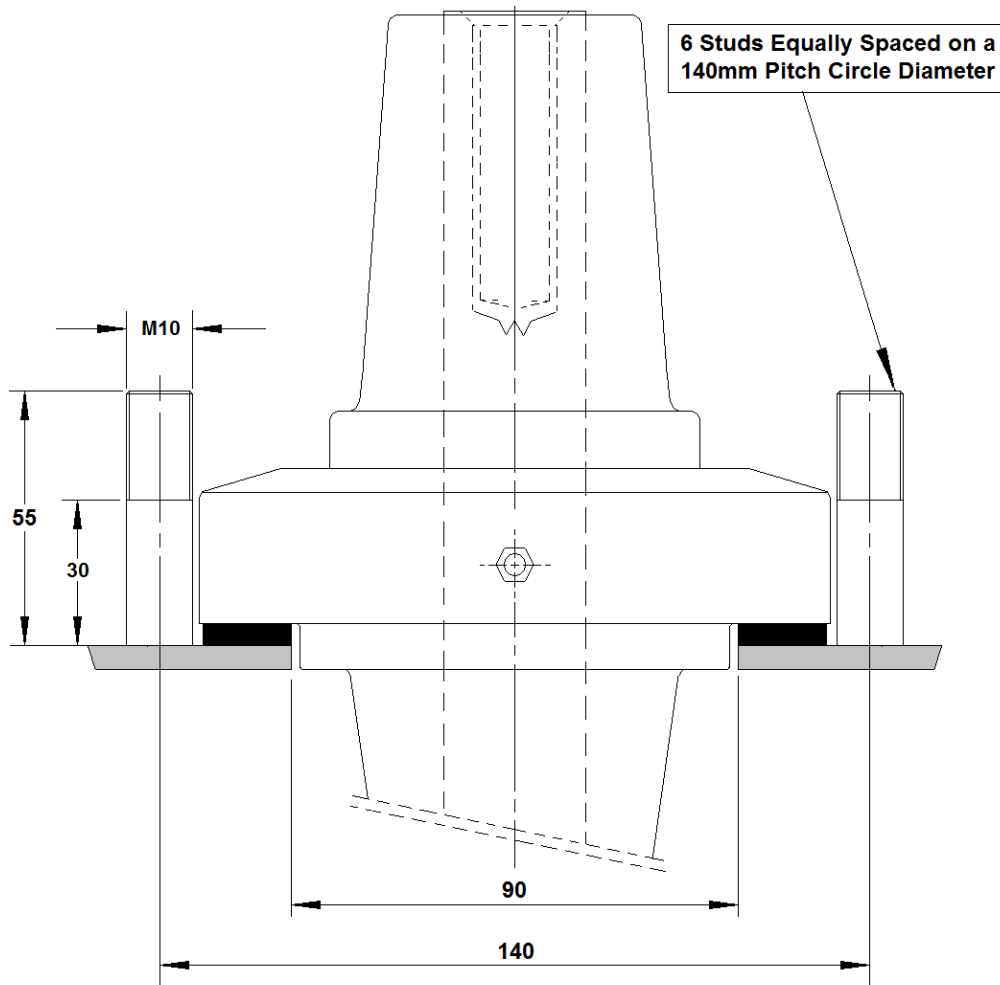
- 1 x sealing gasket
- 1 x fixing flange B – Material to customer preference (Mild Steel Zinc Plated or Stainless Steel)
- 6 x Stud clamps E
- 1 x Earth jumper lead fixed to bushing as standard

INTERFACE "C" - M16 BOLTED CONNECTION



TYPE	Voltage Ur (kV)	Current Ir (A)
EPS36/630-3-C	36	630

Fixing Dimensions DIN 42 538:



Type Tests conducted on units:

- xv) Verification of Dimensions
- xvi) Dry Lightning Impulse Withstand Voltage Test
- xvii) Dry Power Frequency withstand voltage test
- xviii) Measurement of Partial Discharge quantity
- xix) Cantilever load test
- xx) Temperature Rise test
- xxi) Verification of Thermal Short Time Current Withstand.

Should you require any additional information please contact ZEPWW.

Information correct as at 25/10/2016