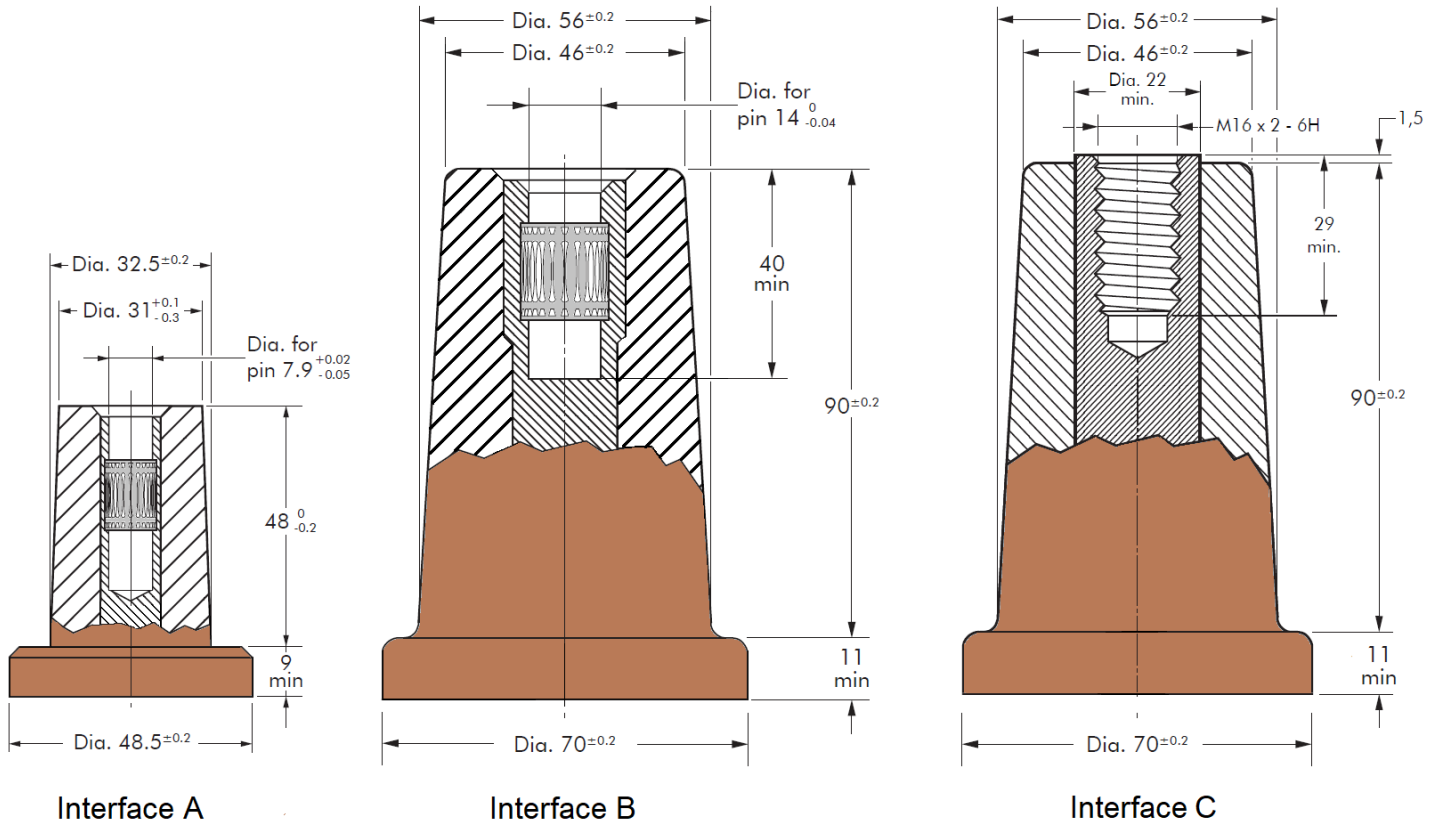


Product Data Sheet for ZEPWW range of Resin Cast Equipment Bushings to CENELEC EN 50180:





The above diagrams show the dimensions of the interfaces of the ZEPWW equipment bushings according to the CENELEC standards EN 50180 and EN50181

Application:

For use in equipment insulated with oil fluid, typically for transformers, switchgear, and capacitors.

Specifications and Standards:

The ZEPWW range of bushings available meet the requirements of CENELEC, EN 50180 and AS/NZ 60137

Routine Electrical Tests:

AC Power Frequency Withstand test including Partial Discharge is measured at extinction with voltage and pd level recorded.

Xray

Each unit is Xray tested to check for voids and or foreign material.

Routine Mechanical Tests:

All units undergo Visual Inspection and Dimensional Check in accordance with EN 50180

Product Traceability:

All units are marked with a unique serial number allowing full traceability back through production.

Design:

The equipment bushings are moulded in accordance with CENELEC EN 50180

The bushings 250A and 400A plug in bushings are equipped with bail tabs for bail restraint, the 630A being a bolted unit does not have these fitted
All units are supplied with Earth Jumper Lead and Dust Cap fitted.

Clamping Kits for Equipment Bushings:

Bushing types as listed **are not** supplied with a clamping kit or sealing gasket, these clamping kits are sold separately and include NBR gaskets of the required size - ***Refer Page 10***

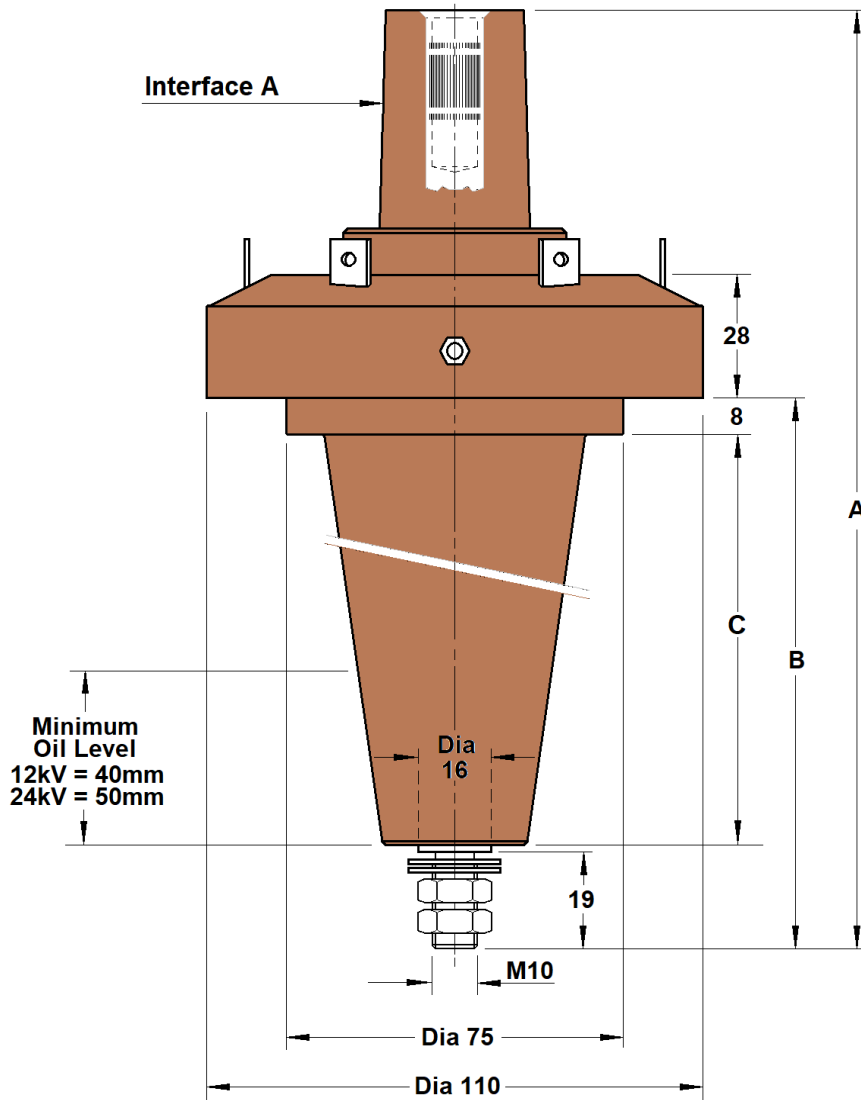
12kV - 24kV 250A INTERFACE "A" PLUG IN

ZEPWW Types:

24-DIB250-1 – Equivalent to K180AR-1/J

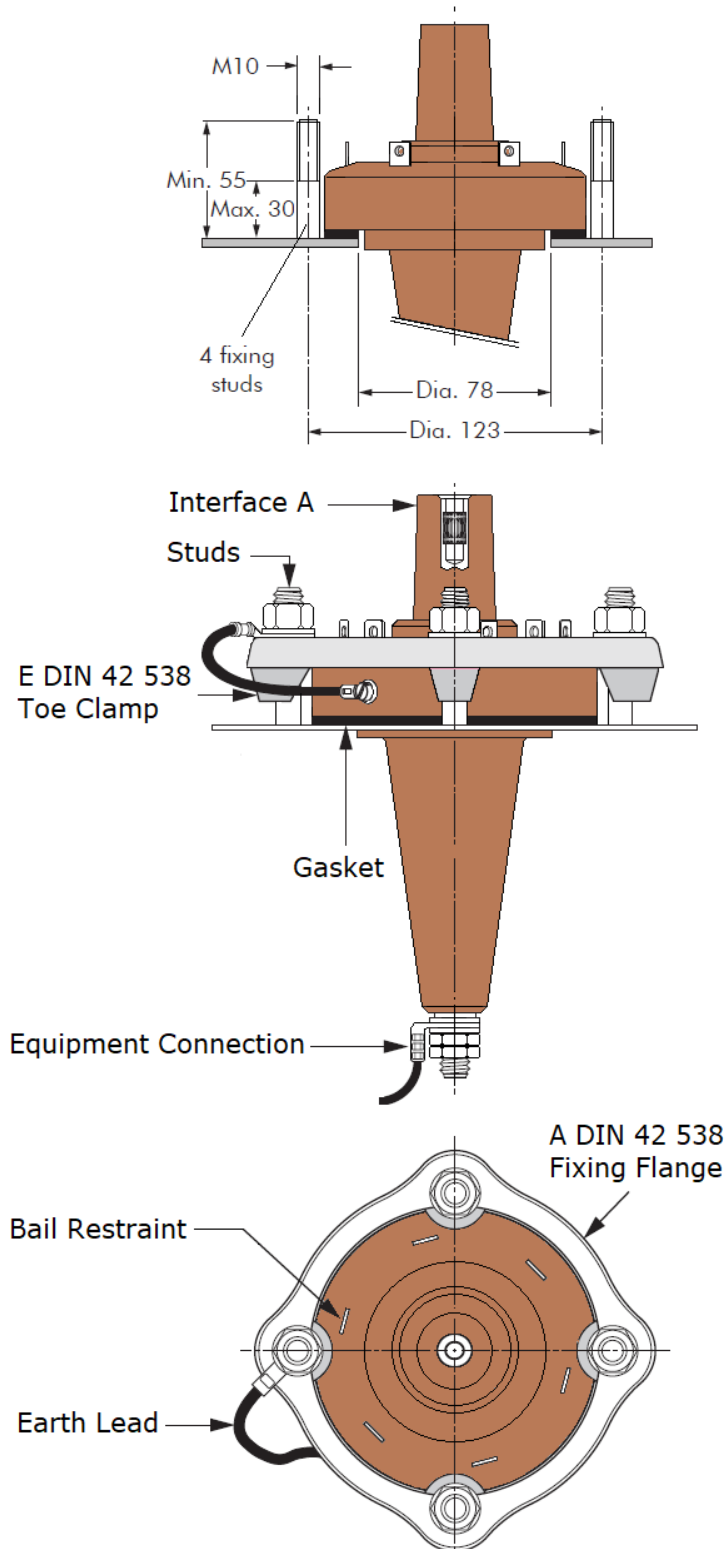
24-DIB250-2 – Equivalent to K180AR-2/J

24-DIB250-3 – Equivalent to K180AR-3/J



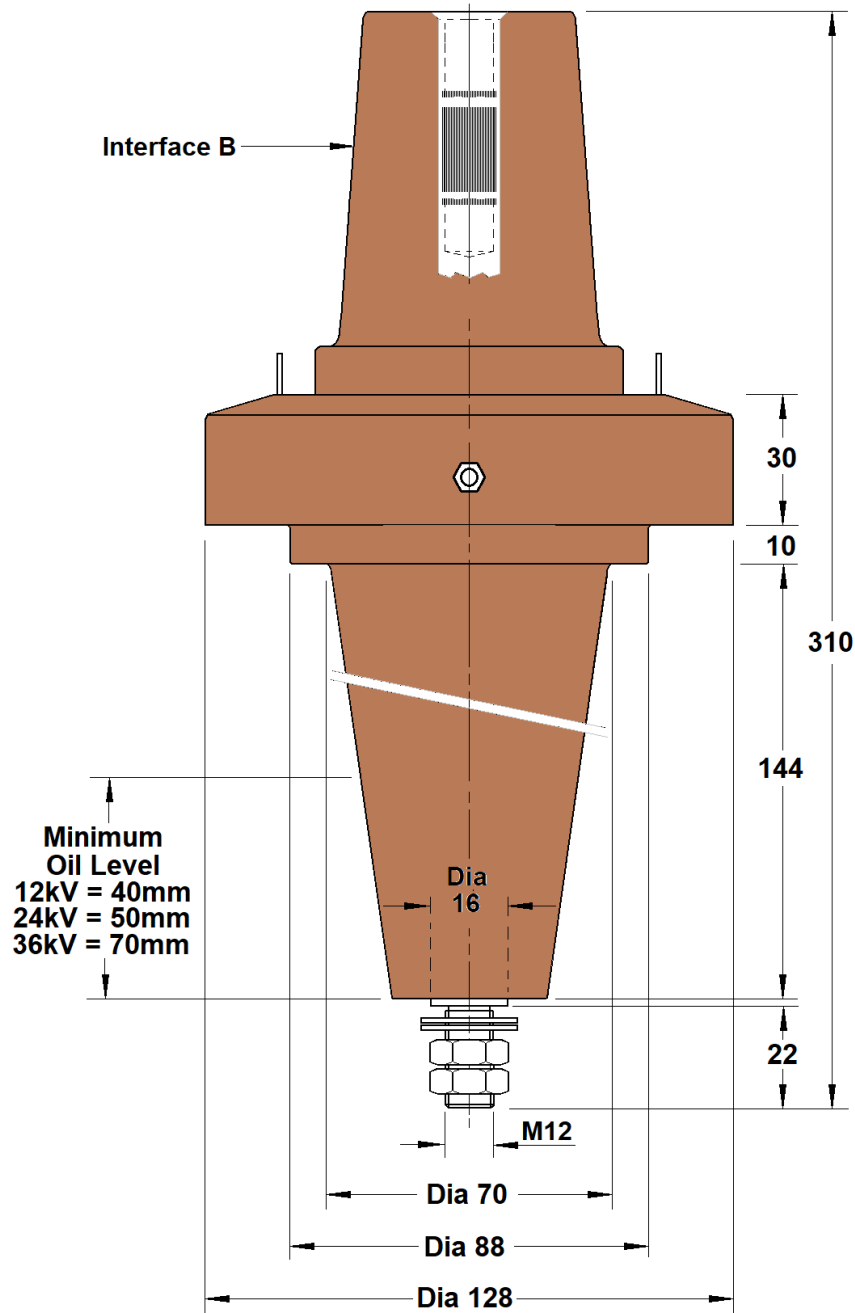
ZEPWW BUSHING TYPE	Voltage Ur (kV)	Current Ir (A)	Dimensions (mm)		
			A	B	C
24-DB250-1	24	250	222 ±5	135 ±3	106 ±3
24-DB250-2	24	250	284 ±5	197 ±3	168 ±3
24-DB250-3	24	250	171 ±5	84 ±3	55 ±3

Fixing Arrangement and Dimensions for 24kV 250A Plug-In Bushings to EN 50180



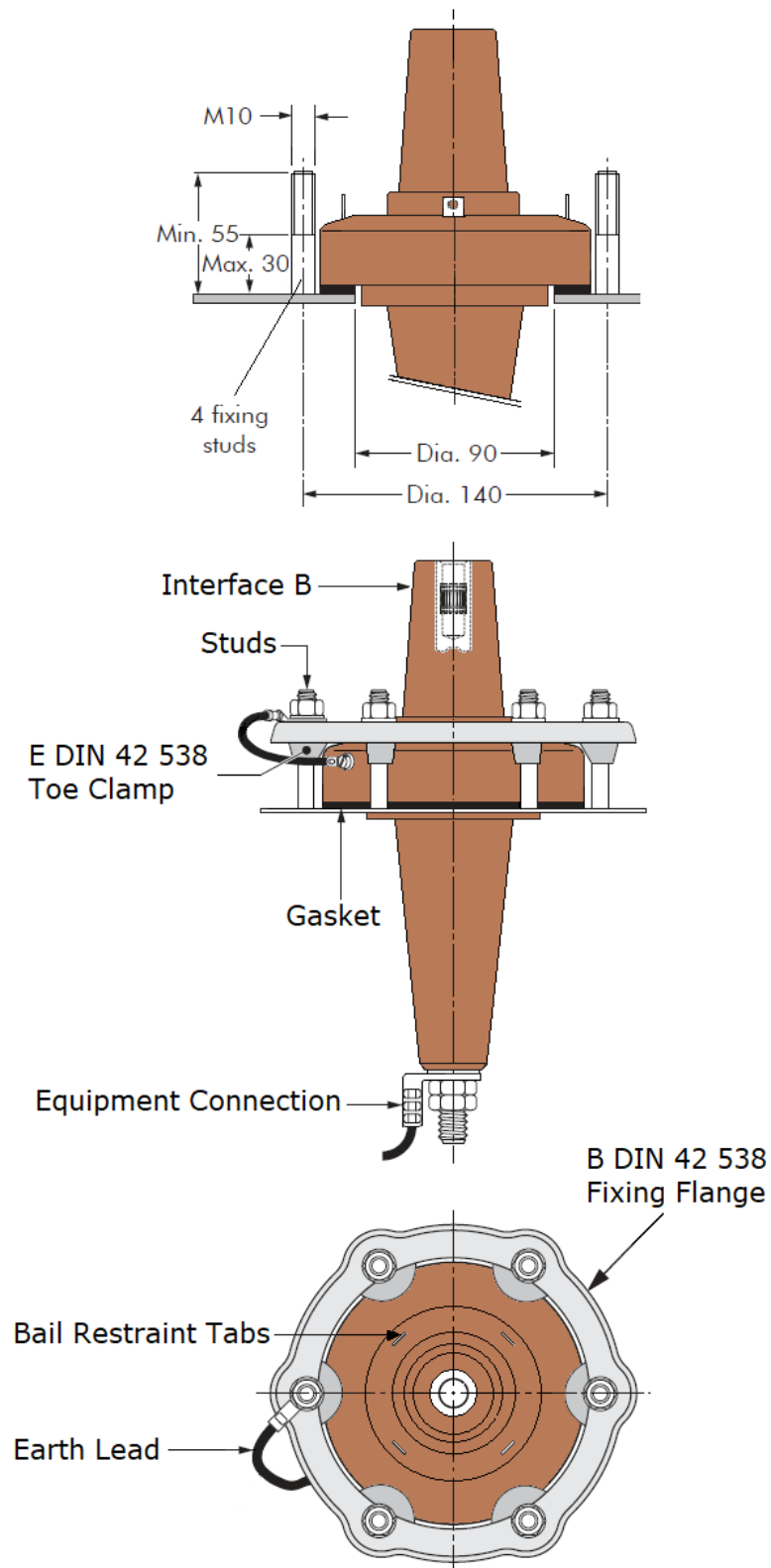
12kV-24kV-36kV 400A INTERFACE “B” PLUG IN

ZEPWW TYPE: 36-DB400-1 - Equivalent to 400T1-J, M400T1-J & K400T1-J



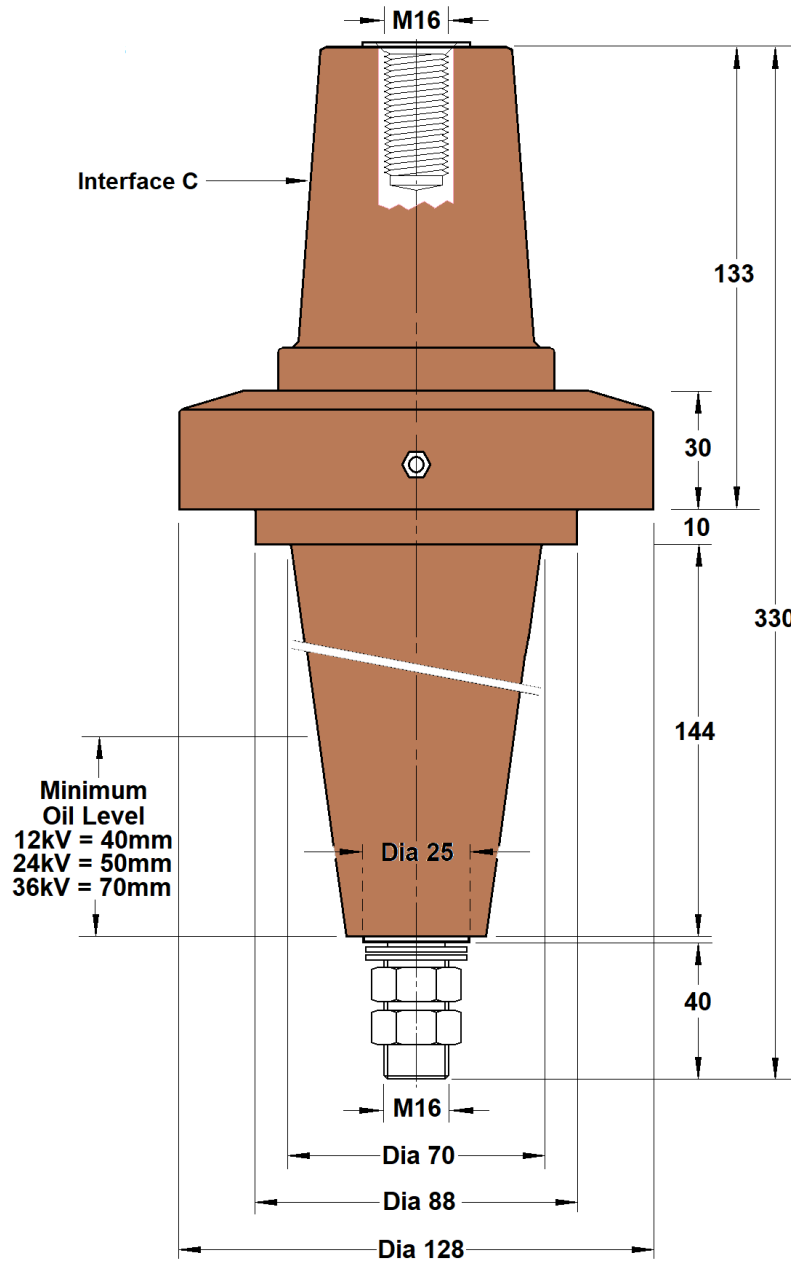
TYPE	Voltage Ur (kV)	Current Ir (A)
36-DIB400-1	36	400

Fixing Arrangement and Dimensions for 36kV 400A Plug in Bushings to EN 50180



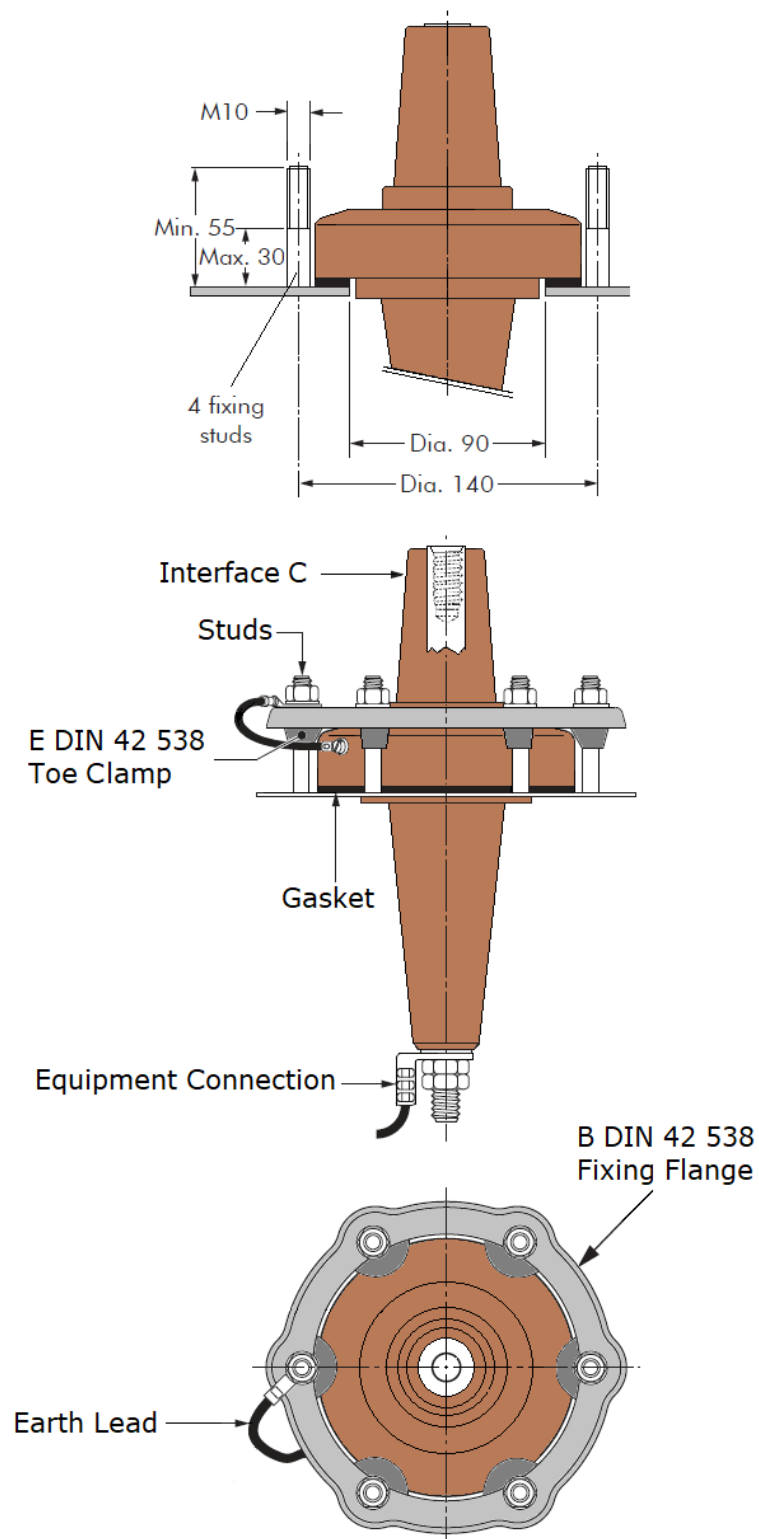
12kV-24kV-36kV 630A INTERFACE "C" BOLTED

ZEPWW TYPE: - 36-DB630-1 - Equivalent to 400AR-3/J, M400AR-3/J & K400AR-3J



TYPE	Voltage Ur (kV)	Current Ir (A)
36-DIB630-1	36	630

Fixing Arrangement and Dimensions for 36kV 630A Bolted Bushings to EN 50180



Clamping Kits

Clamping Kits are sold separately as per details below:

For 250A “A” Interface bushings the following kits are available comprising the following components:

1. 1 x Clamping Ring - in accordance with DIN 42 538 – Type A
2. 4 x Aluminium “Toe Clamps” in accordance with DIN 42 538 - Type E
3. 1 x Sealing Gasket – NBR 70 - 108mm OD x 76mm ID x 4.5mm Thick

The clamping rings are available in 2 material options – Mild Steel Zinc Plated and SS304 Grade Stainless Steel.

Part numbers are as follows:

MSCK-250A - Mild Steel Zinc Plated
SSCK-250A - Stainless Steel Grade 304

For 400A and 630A “B” and “C” Interface bushings the following kits are available comprising the following components:

1. 1 x Clamping Ring – in accordance with DIN 42 538 - Type B
2. 6 x Aluminium “Toe Clamps” in accordance with DIN 42 538 - Type E
3. 1 x Sealing Gasket – NBR 70 - 125mm OD x 90mm ID x 4.5mm Thick

The clamping rings are available in 3 material options – Mild Steel Zinc Plated, SS304 Grade Stainless Steel and Aluminium.

Part numbers are as follows:

MSCK-400-630A - Mild Steel Zinc Plated
ALCK-400-630A - Aluminium
SSCK-400-630A - Stainless Steel Grade 304

Developments

ZEPWW in conjunction with its partners is in the final stages of an exciting product release on this range of bushings. Later this year ZEPWW will be announcing the release of the above products made from Cycloaliphatic resins for outdoor use.

Information correct as at 25th June 2020 but subject to change without notice