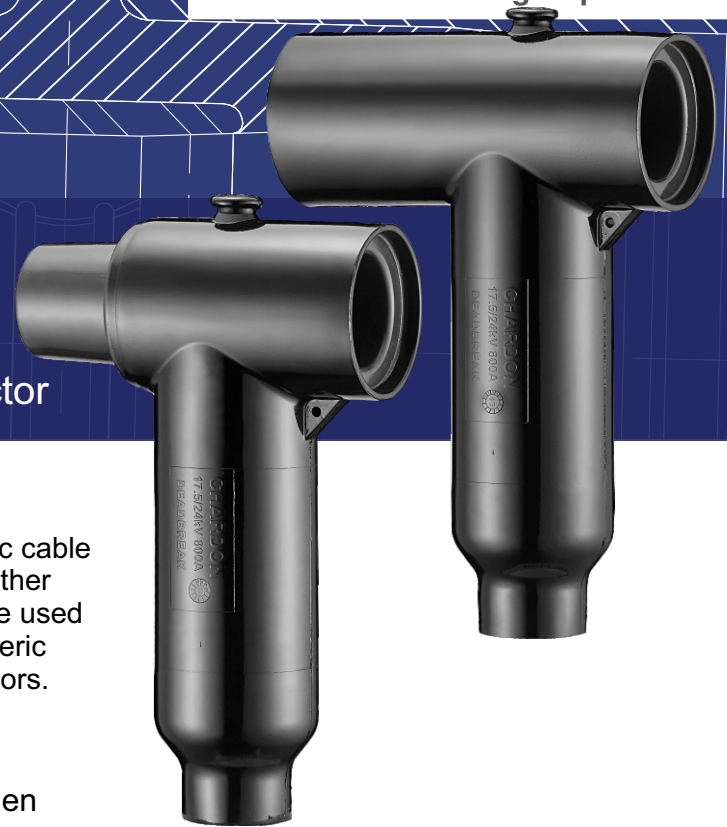


IEC Separable Connectors

17.5 kV/24 kV, 630A

Front T-Body / Coupling (Rear) T-Body Connector



Application

The Chardon T-Body connectors are used to terminate polymeric cable to dead front apparatus such as transformers, switchgear, and other equipment. They can be used at 17.5 kV and 24 kV. They can be used for indoor or outdoor applications, and can be used for all polymeric cable types (XLPE, EPR, etc.) with copper or aluminum conductors.

Key Features

- Provides a fully shielded and submersible connection when mated with the proper bushing or plug.
- Type “C” 630A Interface.
- Mounting can be vertical, horizontal, or any angle in between.
- No minimum phase clearance requirements.
- 100% electrical tested at factory.

Product Ratings

Maximum Voltage Class (U_m):	24 kV
AC 5 Minute Withstand:	54 kV
Minimum Corona Voltage Level:	20 kV < 3 pC
BIL and Full Wave Crest (Impulse):	125 kV
Thermal Short Circuit (Conductor, 2 sec.)	23kA/2s
Dynamic Short Circuit (Conductor, 10 sec.)	82 kA/10ms
Continuous Current	630A
Overload Current (8 hours maximum)	900A

Production Tests

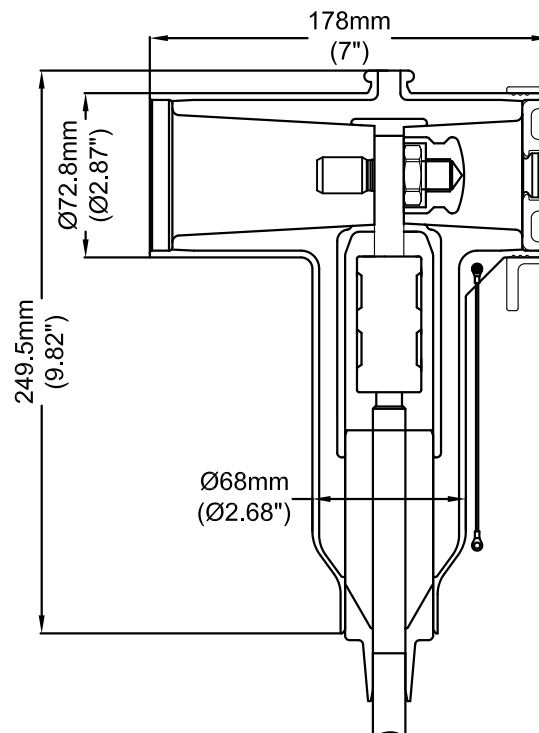
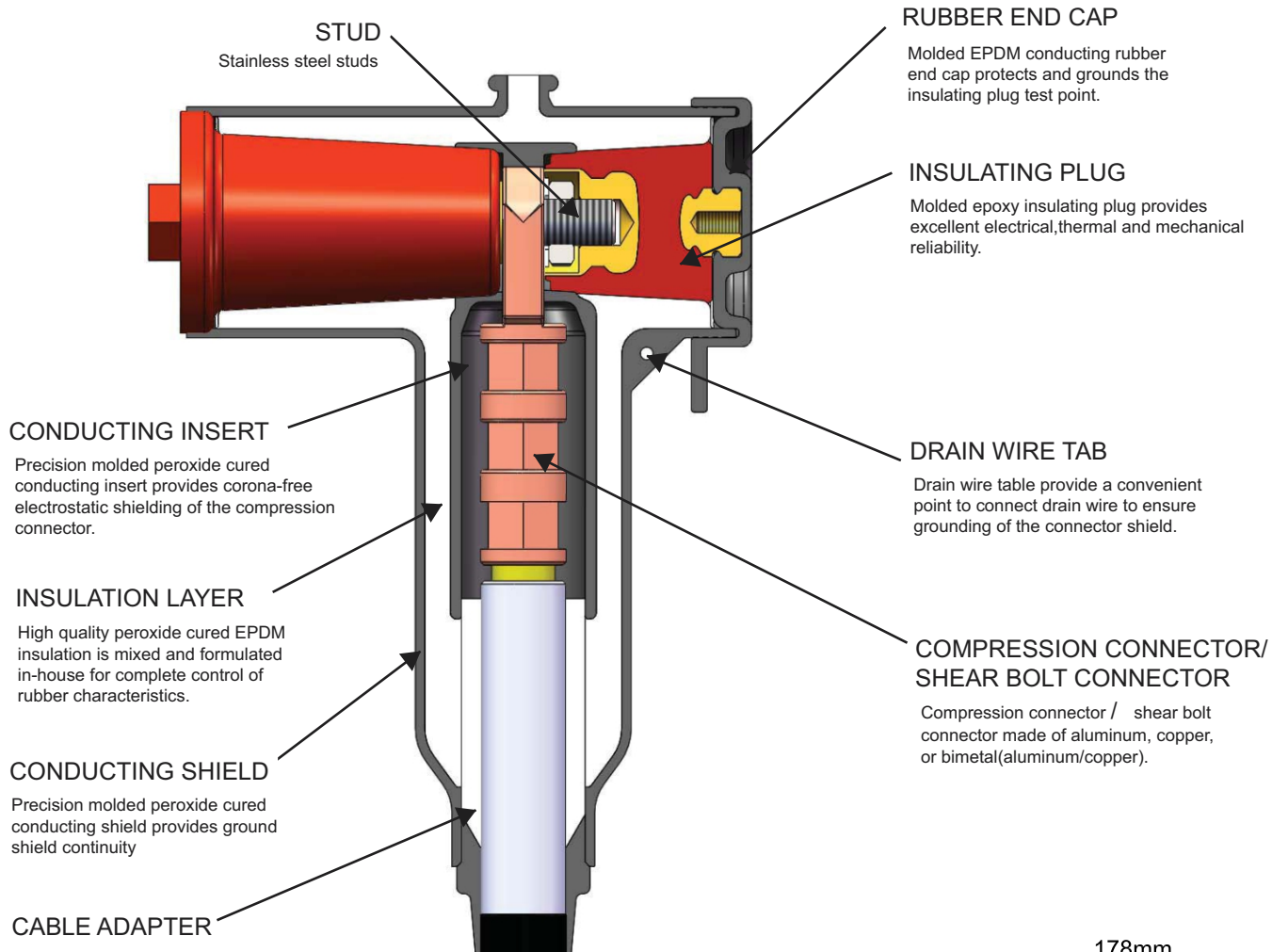
Tests conducted in accordance with IEC 60502-4

- Minimum Corona Voltage Level – 20 kV<3pC
- AC 5 Minute Withstand – 54 kV

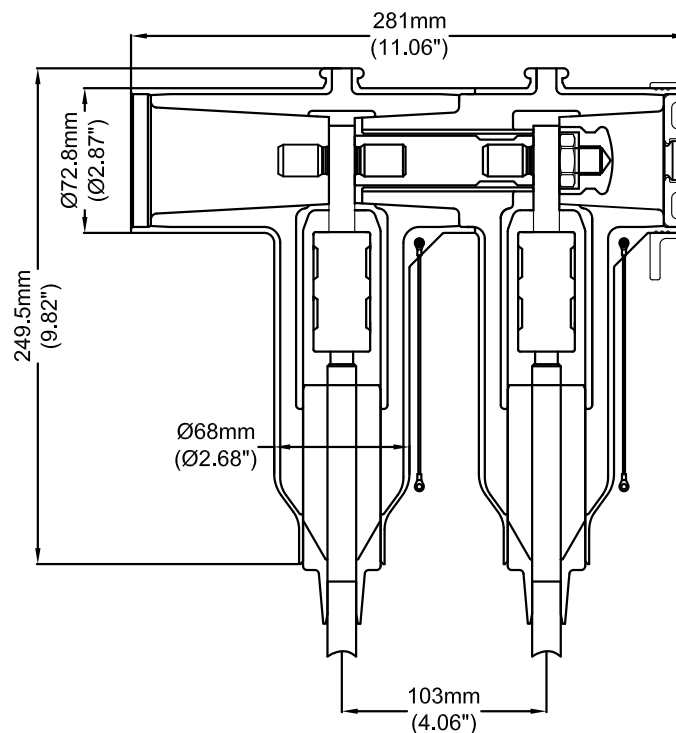
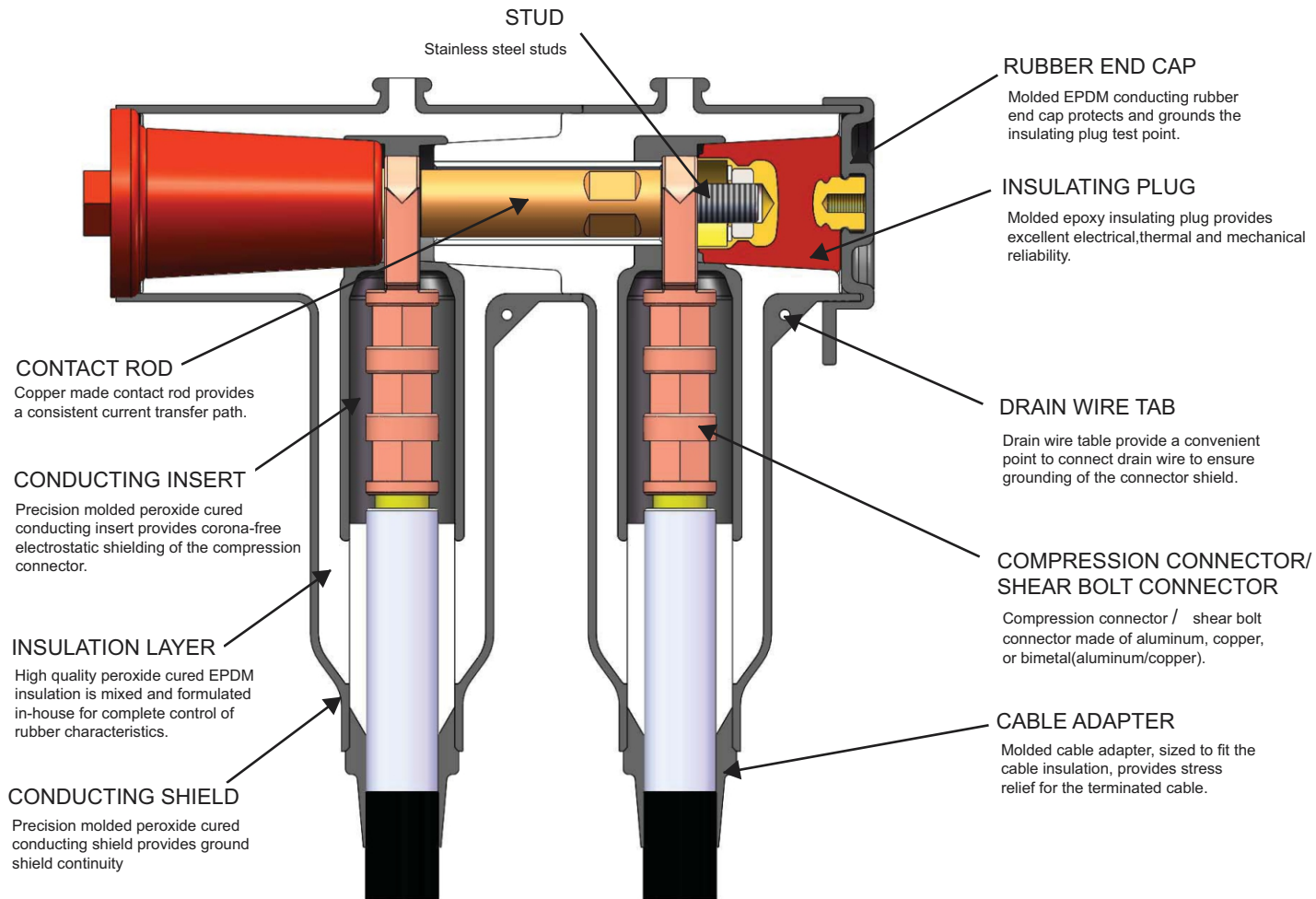
Tests conducted in accordance with Chardon manufacturing process requirements:

- Physical Inspection
- Periodic Dissection
- Periodic X-Ray analysis

Detailed composition of the Chardon 17.5 kV/24 kV Front T-Body Connector



Detailed composition of the Chardon
17.5 kV/24 kV, Coupling
(Rear) T-Body Connector



ORDERING INFORMATION



STEP 1

Selection of Front / Rear T-body

FDT	Front T-Body
RDT	Coupling (Rear) T-body

STEP 2

Selection of Cable Insulation Dimension

A	15.5 – 19.0 mm
B	18.0 – 23.0 mm
C	22.0 – 27.0 mm
D	26.0 – 32.0 mm
E	31.0 – 37.0 mm

STEP 3

Selection of Conductor Size

Conductor Code	Conductor Size (mm ²)
25	25
35	35
50	50
70	70
95	95
120	120
150	150
185	185
240	240
300	300

STEP 4

Selection of Compression Connector Material

Code	
B	Bi-metal (Al & Cu)
C	Copper

Note: When ordering a shear bolt connector in a kit, use the chart below and add code in the end of the part number, for example, SBC-B-25-50/1.

Conductor Code for Shear Bolt Connector

CATALOG NO.	Conductor Range(mm ²).
SBC-B-25-50/1	25-50
SBC-B-70-95/1	70-95
SBC-B-70-120/2	70-120
SBC-B-150-240/2	150-240

ORDERING EXAMPLE:

For a CHARDON 24kV Front T-body with cable insulation outer dimension of 26.4mm and a conductor size of 185mm² with copper compression connector, the part number would be as follows:

24-FDT630C185C

If a shear bolt connector is selected in this kit, the part number would be as follows:

24-FDT630CSBC-B-25-50/1



Chardon Taiwan Corporation

No. 37 Min-Chie Road
Tung Lo Industrial Park
Miao Li, Taiwan 366
Phone: 886-3-798-4385
Fax: 886-3-798-4770

www.chardongroup.com · info@chardongroup.com