

Chardon IEC 24kV 630A Insulated Protective Cap



Application

The Chardon 24kV 630A Insulated Protective Cap can be used for temporary or permanent applications and provides a submersible, fully shielded insulated cap for energized bushings.

When installed on a IEC bushing interface or junctions, it is properly grounded using the attached drain wire, and providing physical seal and electrical insulation bushing interfaces.

The Chardon insulated cap design incorporates peroxide cured, EPDM insulation rubber, and a semi-conducting insert and outer shield.

Key Features

- Provides a fully shielded and submersible connection when mated with the proper bushings
- EN-50181 Type "C" 630A interface
- Mounting can be vertical, horizontal, or any angle in between
- No minimum phase clearance requirements
- 100% electrical tested at factory

Production Tests

Tests conducted in accordance with IEC60502-4, HD629.1, GB/T12706.4

- Minimum Corona Voltage Level – 22 kV < 3 pC
- AC 1 Minute Withstand – 60 kV
- Impulse sampling test – 125kV

Tests conducted in accordance with Chardon manufacturing process requirements:

- Physical Inspection
- Periodic Dissection
- Periodic X-Ray analysis

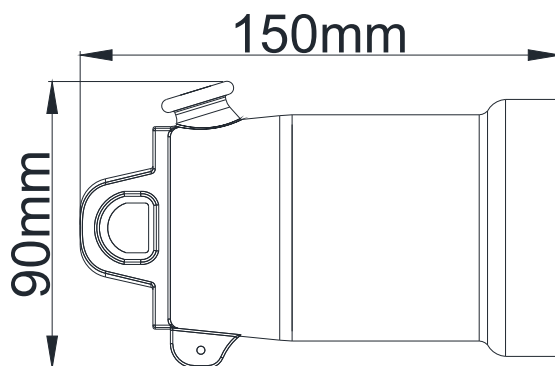
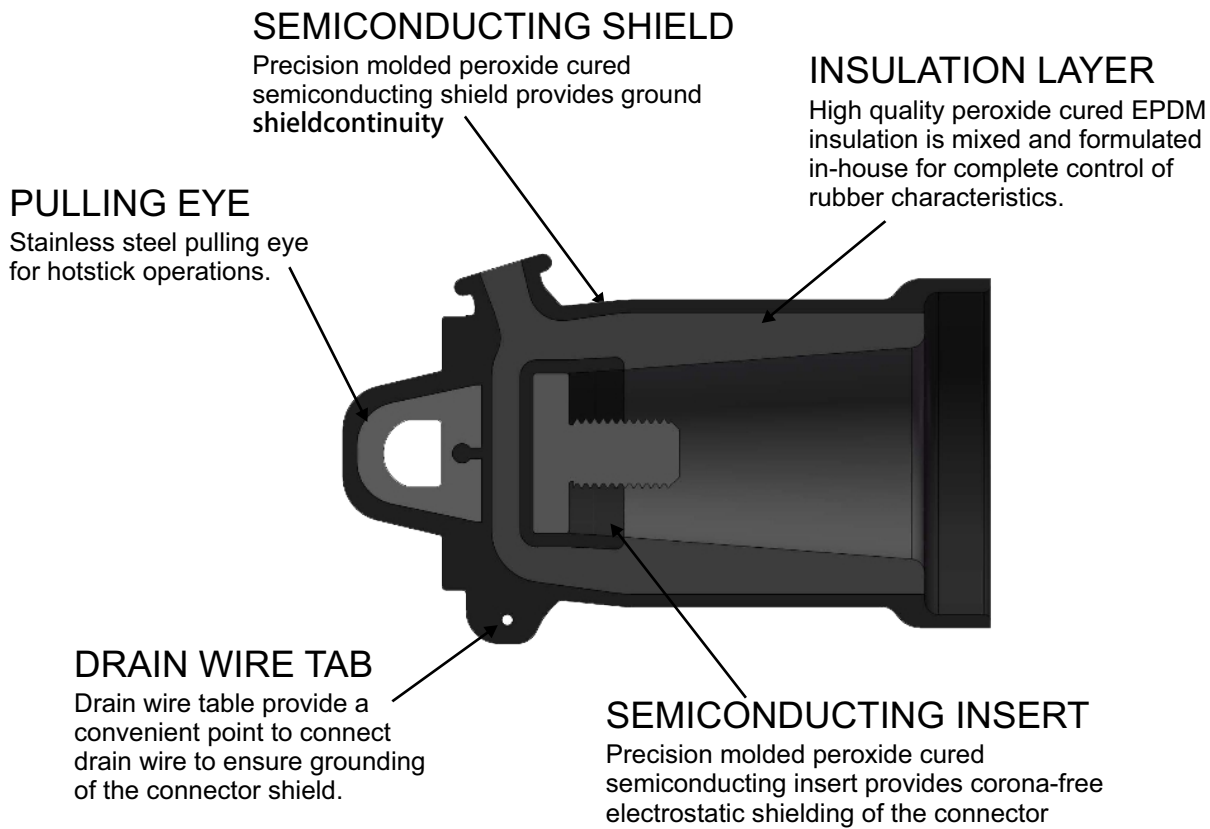
Voltage Ratings:

Max. Rating Phase to Ground	24 kV
AC 60Hz 1 Minute Withstand	57 kV
Minimum Corona Voltage Level	22 kV < 10 pC
BIL and Full Wave Crest	125 kV

Each kit includes the following:

- Insulated Cap
- Silicone Lubricant
- Installation Instruction Sheet

Detailed composition of the Chardon 24kV 630A Insulated Cap



ORDERING INFORMATION: 24-DIC630



Chardon Taiwan Corporation

No. 37 Min-Chie Road
Tung Lo Industrial Park
Miao Li, Taiwan 366
Phone: 886-3-798-4385
Fax: 886-3-798-4770

www.chardongroup.com • info@chardongroup.com