

IEC Separable Connectors

36 kV and 42 kV, 630A and 1250A

Front T-Body / Coupling (Rear) T-Body Connector



Application

Chardon Front T-Body / Coupling (Rear) T-Body connectors are fully screened and fully submersible when mated with proper bushings or plugs. The products are used to terminate polymeric cable to dead front apparatus such as transformers, switchgear, and other equipment. They can be used for 36kV and 42 kV applications. The Chardon T-body connectors are suitable for indoor or outdoor applications, and are able to be used for all polymeric cable types (XLPE, ETP, etc.) with copper or aluminum conductors. The design is especially suited for the harsh off-shore or wind farm environment, where long runs and large cable sizes are needed.

Key Features

- Provides a fully shielded and submersible connection when mated with the proper bushing or plug.
- Type "C" 1250A interface.
- Mounting can be vertical, horizontal, or any angle in between.
- No minimum phase clearance requirements.
- 100% electrical tested in production.

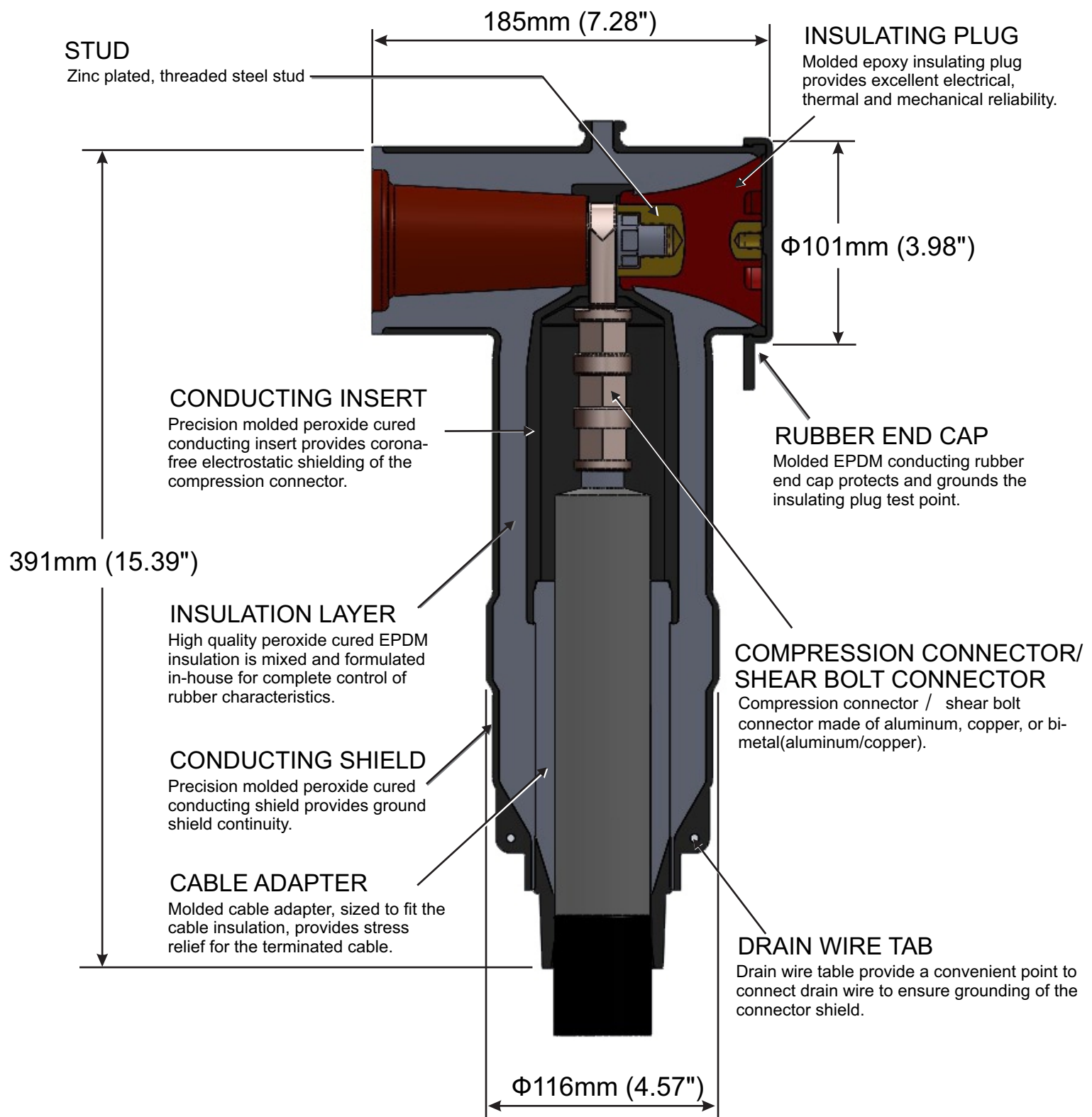
Product Ratings

Maximum Voltage Class (U_m):	42 kV
AC 5 Minute Withstand:	117 kV
DC 15 Minute Voltage Withstand:	125 kV
Minimum Corona Voltage Level:	45 kV < 10 pC
BIL and Full Wave Crest (Impulse):	200 kV
Thermal Short Circuit (Conductor, 3 sec.)	45 kA
Dynamic Short Circuit	100 kA
Continuous Current	1250 A

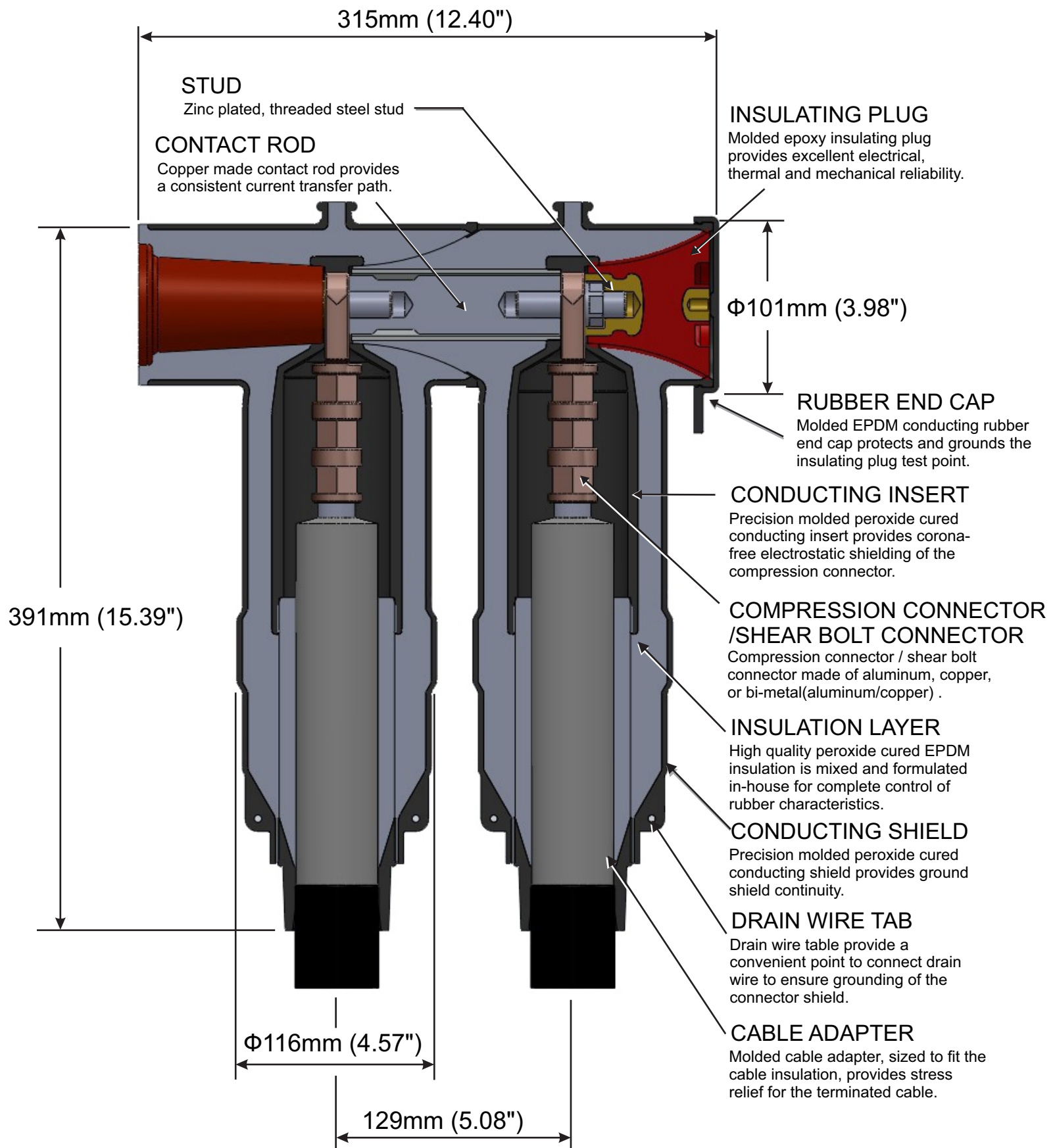
Production Tests

- Tests conducted in accordance with IEC 60502-4
- Minimum Corona Voltage Level – 45 kV \leq 10pC
 - AC 5 Minute Withstand – 117 kV

Detailed composition of the Chardon 36 kV and 42 kV Front T-body Connector



**Detailed composition of the Chardon
36 kV and 42 kV Coupling (Rear) T-body Connector**



ORDERING INFORMATION



www.chardongroup.com

42 - _ _ _ 1250

STEP 1

_

STEP 2

_ _ _

STEP 3

_

STEP 4

STEP 1

Selection of Front / Rear T-body

Code	
FDT	Front T-body
RDT	Coupling(Rear)T-body

STEP 2

Selection of Cable Insulation Dimension

Code	mm
D	19.10-25.00
E	23.60-26.40
F	24.90-28.30
G	26.40-29.90
H	27.80-31.50
J	29.50-33.20
K	31.00-34.90
L	32.60-35.40
M	34.40-38.60
N	37.70-40.50
P	38.90-41.70
Q	40.00-42.80
R	42.30-45.30
S	44.60-47.60
T	46.90-49.90
U	49.20-52.20
V	51.40-54.50

ORDERING EXAMPLE:

For a CHARDON 42 kV Front T-body with cable insulation outer dimension of 26.4 mm and a conductor size of 185 mm² with copper compression connector, the part number would be as follows.

42 - FDT 1250 E 185 C

If a shear bolt connector is selected in this kit, the part number would be 42-FDT1250E-SBC-B-25-50/1

42 - FDT 1250 E SBC-B-25-50/1

STEP 3

Selection of Conductor Size

Conductor Code	Conductor Size(mm ²)
25	25
35	35
50	50
70	70
95	95
120	120
150	150
185	185
240	240
300	300
400	400
500	500
630	630

STEP 4

Selection of Compression Connector Material

Code	
B	Bi-metal (Al & Cu)
C	Copper

Chardon Shear Bolt Connector

Example:

ForaShear Bolt Connector with a conductor Range between 20-50 mm², the part number would be : SBC-B-25-50/1

CATALOG NO.	Conductor Range(mm ²)
SBC-B-25-50/1	25-50
SBC-B-70-95/1	70-95
SBC-B-70-120/2	70-120
SBC-B-150-240/2	150-240
SBC-B-300-400/3	300-400
SBC-B-500-850/3	500-630



Chardon Taiwan Corporation

No. 37 Min-Chie Road
Tung Lo Industrial Park
Miao Li, Taiwan 366
Phone: 886-3-798-4385
Fax: 886-3-798-4770

www.chardongroup.com · info@chardongroup.com