



IEC Separable Connectors

36 kV 400A Front T-Body Connector

Application

Chardon 36kV 400A Front T-Body connectors are fully screened and fully submersible when mated with proper bushings or plugs. The products are used to terminate polymeric cable to dead front apparatus such as transformers, switchgear, and other equipment.

It is designed in accordance with Type B-400A interface as described by EN 50180 and 50181. The Chardon T-body connectors are suitable for indoor or outdoor applications, and are able to be used for all polymeric cable types (XLPE, ETP, etc.) with copper or aluminum conductors. The design is especially suited for the harsh off-shore or wind farm environment, where long runs and large cable sizes are needed.

Key Features

- Provides a fully shielded and submersible connection when mated with the proper bushing or plug.
- Type "B" 400A interface.
- Mounting can be vertical, horizontal, or any angle in between.
- No minimum phase clearance requirements.
- 100% electrical tested in production.

Product Ratings

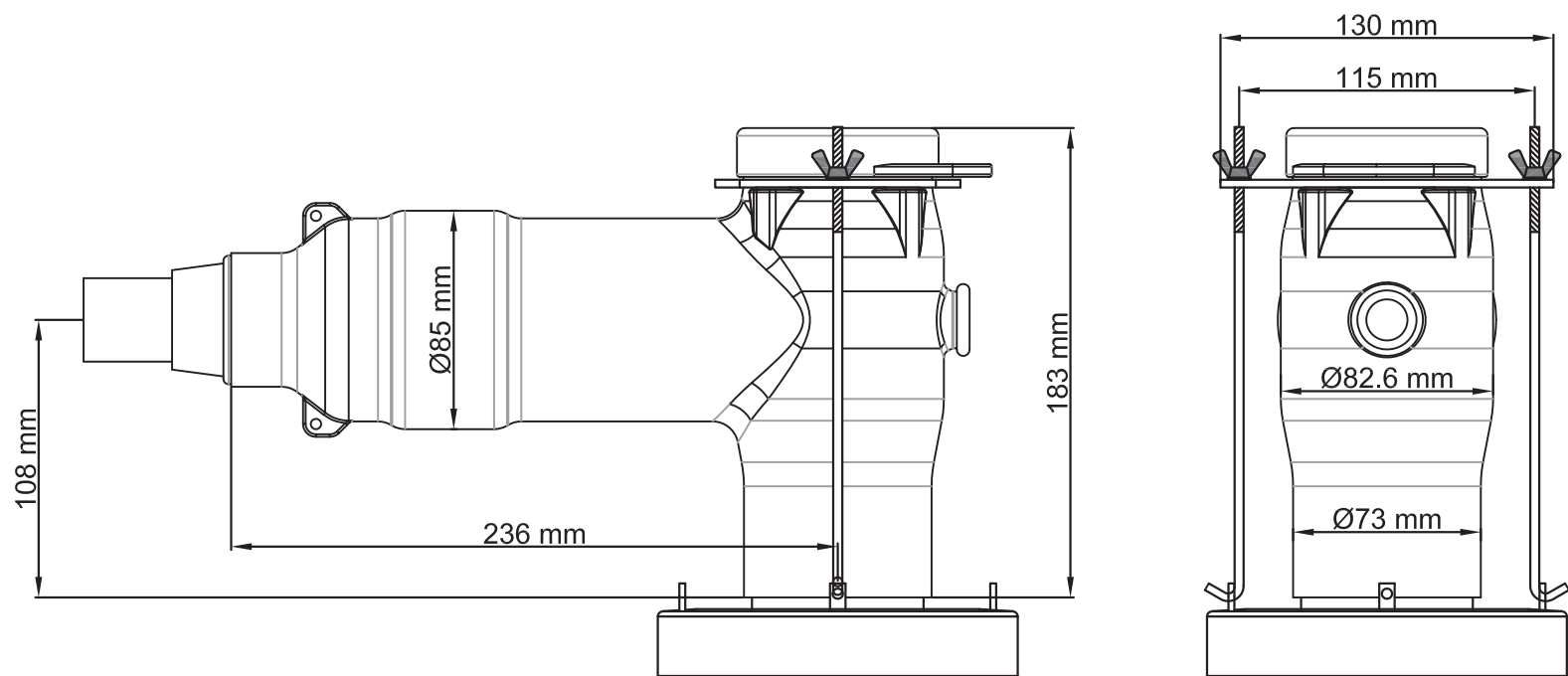
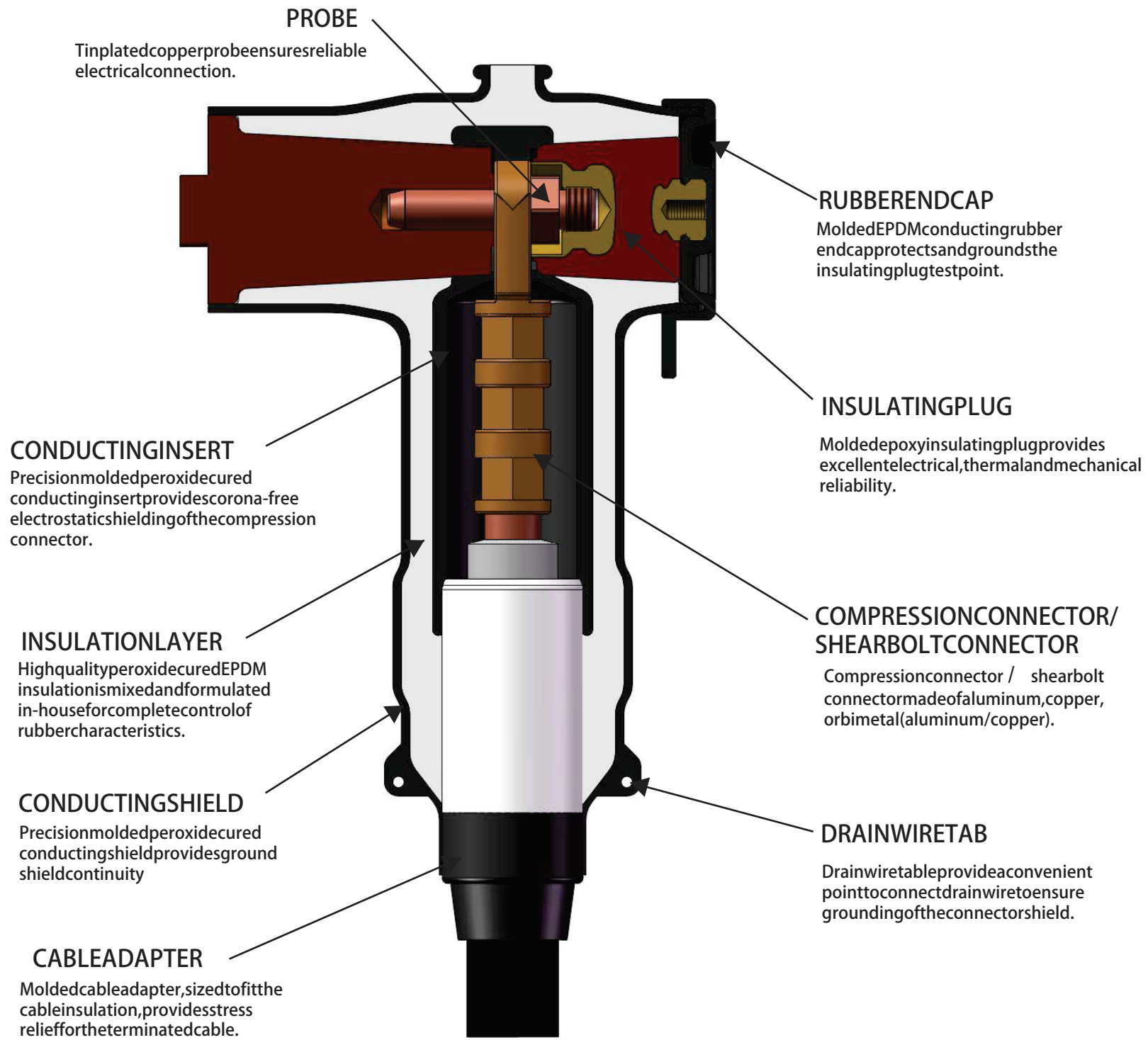
Maximum Voltage Class (U_m):	36 kV
AC 5 Minute Withstand:	81 kV
DC 15 Minute Voltage Withstand:	72 kV
Minimum Corona Voltage Level:	30 kV < 10 pC
BIL and Full Wave Crest (Impulse):	170 kV
Thermal Short Circuit (Conductor, 2 sec.)	23 kA
Dynamic Short Circuit	82 kA
Continuous Current	400 A

Production Tests

Tests conducted in accordance with IEC 60502-4

- Minimum Corona Voltage Level – 30 kV \leq 3pC
- AC 5 Minute Withstand – 81 kV

Detailed composition of Chardon 36 kV 400A Front T-body Connector



ORDERING INFORMATION

36 - _ _ _ 400

STEP 1

_

STEP 2

_ _ _

STEP 3

_

STEP 4

STEP 1

_ _ _

Selection of Front T-body

Code	
FDT	Front T-body

STEP 4

_

Selection of Compression Connector Material

Code	
B	Bi-metal (Al & Cu)
C	Copper

STEP 2

_

Selection of Cable Insulation Dimension

Code	mm (inch)
------	-----------

LA	15.5-19.0(0.610-0.748)
LB	18.0-21.0(0.709-0.827)
LC	20.0-23.0(0.787-0.905)
LD	22.0-25.0(0.866-0.984)
LE	24.0-27.0(0.945-1.063)
LF	26.0-29.0(1.024-1.142)
LG	28.0-32.0(1.102-1.260)
LH	31.0-34.0(1.220-1.339)
LI	33.0-37.0(1.299-1.457)
LJ	36.0-39.0(1.417-1.535)
LK	38.0-42.0(1.496-1.654)

STEP 3

_ _ _

Selection of Conductor Size

Conductor Code	Conductor Size(mm ²)
25	25
35	35
50	50
70	70
95	95
120	120
150	150
185	185
240	240
300	300
400	400

ORDERING EXAMPLE:

For a CHARDON 36 kV 400A Front T-body with cable insulation outer dimension of 26.4 mm and a conductor size of 85 mm² with copper compression connector, the part number would be as follows.

36 - FDT 400 LE 185 C



Chardon Taiwan Corporation

No. 37 Min-Chie Road
Tung Lo Industrial Park
Miao Li, Taiwan 366
Phone: 886-3-798-4385
Fax: 886-3-798-4770

www.chardongroup.com • info@chardongroup.com