

IEC Separable Connectors 51 kV/134 kV Coupling (Rear) T-Body Surge Arrester



Application

The Chardon T-Body Surge Arrester is an arrester combined within a coupling (rear) T-Body interface. It is designed to protect apparatus, including transformers, switchgear, and other equipment from high voltage surges due to lightning or switching.

Key Features

- Provides fully shielded separable arrester protection.
- Metal (zinc) Oxide Varistor (MOV) gapless design.
- EPDM insulation rubber molded around MOV module.
- Mounting can be vertical, horizontal, or any angle in between.
- No minimum phase clearance requirements.
- 100% electrical tested at factory.

Product Ratings

Maximum Voltage Class (U_m):	51 kV
Nominal Discharge Current of Arrester:	5 kA/10kA
Residual Voltage of Nominal Discharge Current:	≤ 134 kV
Maximum Continuous Operating Voltage	40.8 kV
Voltage of DC 1mA Current:	≥ 73 kV

Production Tests

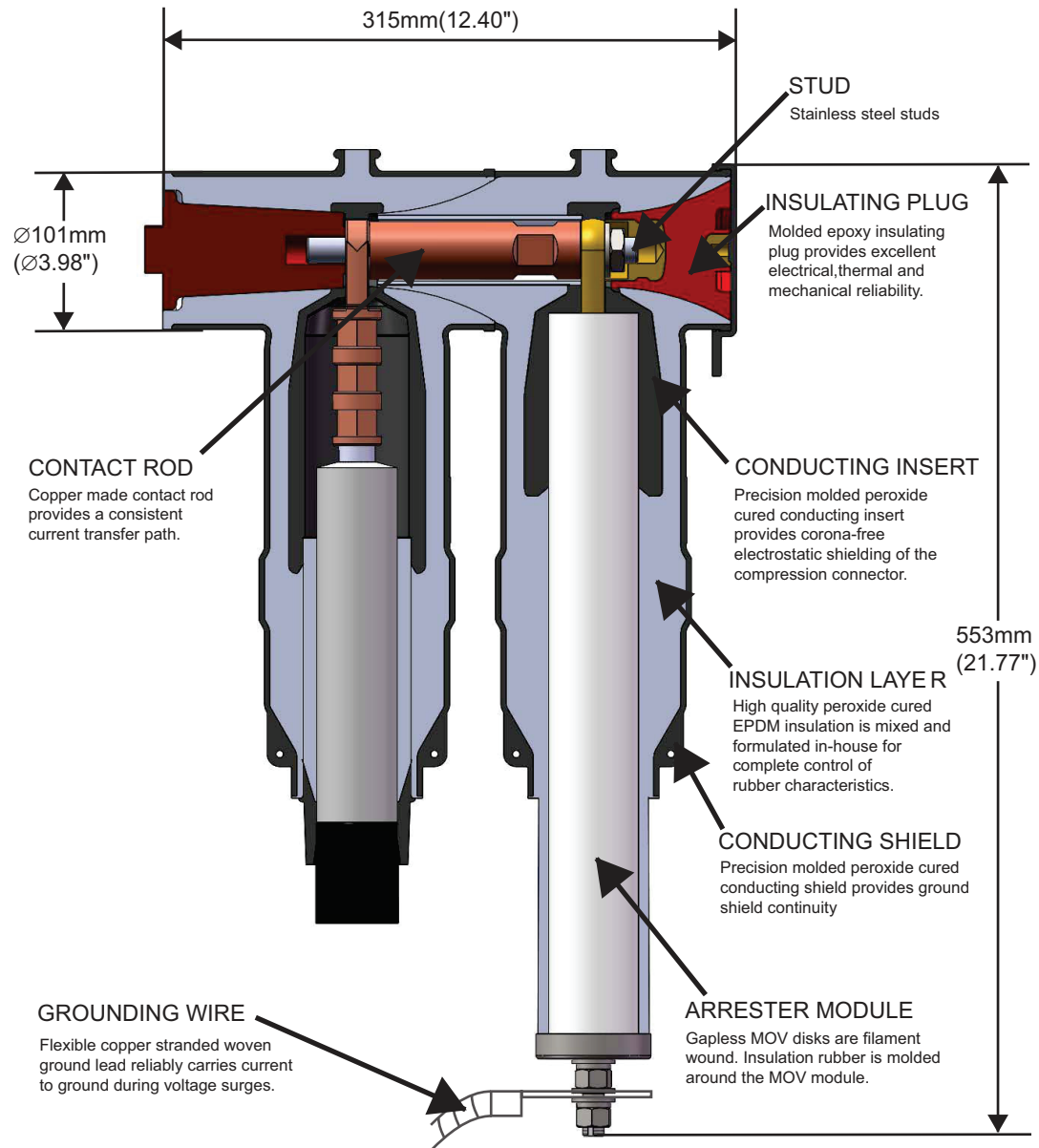
Tests conducted in accordance with IEC 60099-4

- Minimum Corona Voltage Level - 43kV <3pc
- Voltage of DC 1mA Current - ≥ 73 kV

Tests conducted in accordance with Chardon manufacturing process requirements:

- Physical Inspection
- Periodic Dissection
- Periodic X-Ray analysis

Detailed composition of the Chardon 51 kV/134 kV Front T-Body Surge Arrester



ORDERING INFORMATION:

51kV/134kV 5kA Coupling(Rear)T-body Surge Arrester

51-RDTA134

51kV/134kV 10kA Coupling(Rear)T-body Surge Arrester

51-RDTA134-10



Chardon Taiwan Corporation

No. 37 Min-Chie Road
Tung Lo Industrial Park
Miao Li, Taiwan 366
Phone: 886-3-798-4385
Fax: 886-3-798-4770

www.chardongroup.com • info@chardongroup.com